

# ilekτρο Range

## 1250 Landscape

### SPECIFICATION SHEET



Version 4 27/02/23

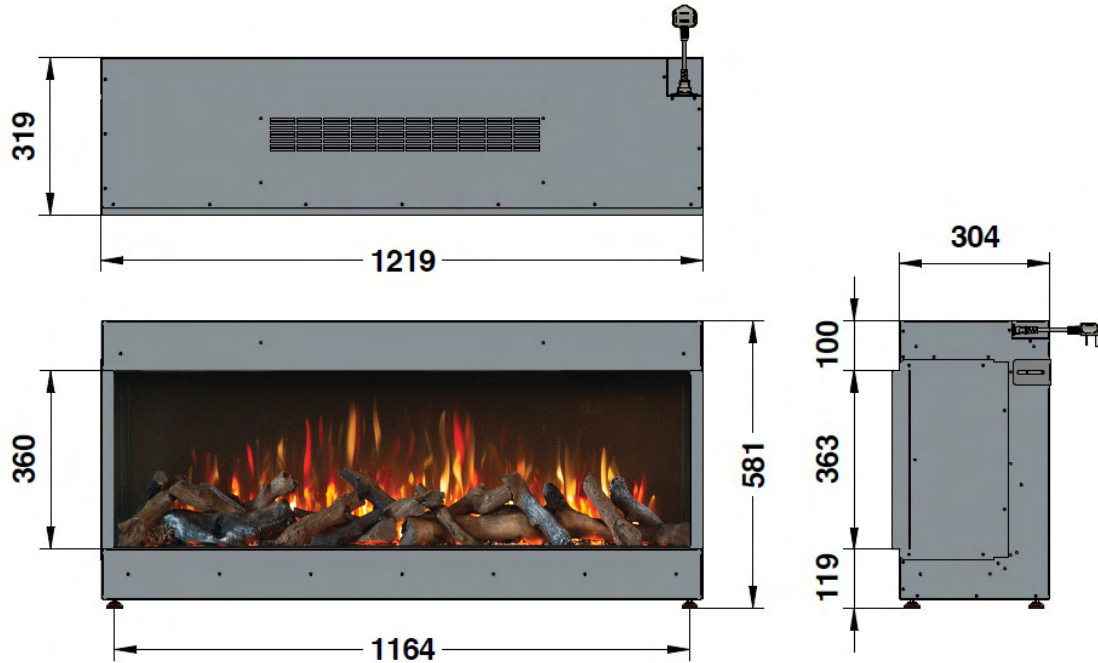
Contents of manual may be updated without notice.  
For the latest version of this manual please refer to  
our website: [www.paulagnewdesigns.com.au](http://www.paulagnewdesigns.com.au)

**PAUL AGNEW** | **DESIGNS**

## ilektró 1250 Landscape Glass Fronted

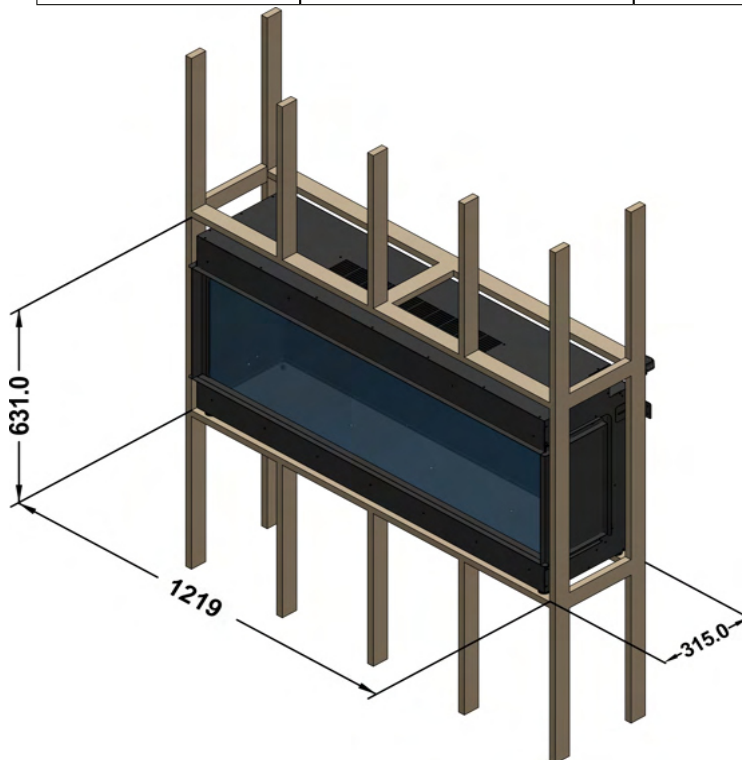
### APPLIANCE DIMENSIONS

Product Code:



### FRAME BUILD OUT DIMENSIONS (All dimensions are in millimetres)

H - MIN	W - MIN	C - CAVITY DEPTH
631	1219	315



### DIMENSION NOTES:

\*\* C- CAVITY DEPTH INCLUDES 10MM BACK CLEARANCE.

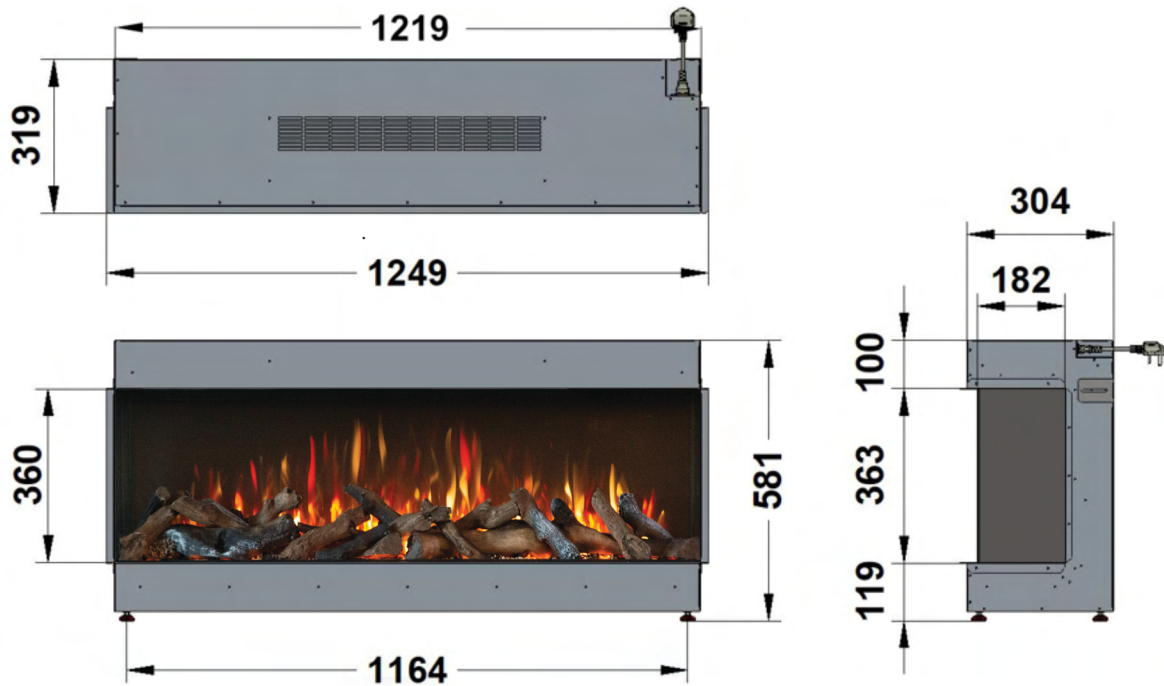
\*\* H- HEIGHT INCLUDES 50MM TOP CLEARANCE.

PLEASE NOTE: DIMENSIONS ARE FOR REFERENCE ONLY - CONSULT YOUR INSTALLER AND RETAILER FOR GUIDANCE

## ilektró 1250 Landscape Bay

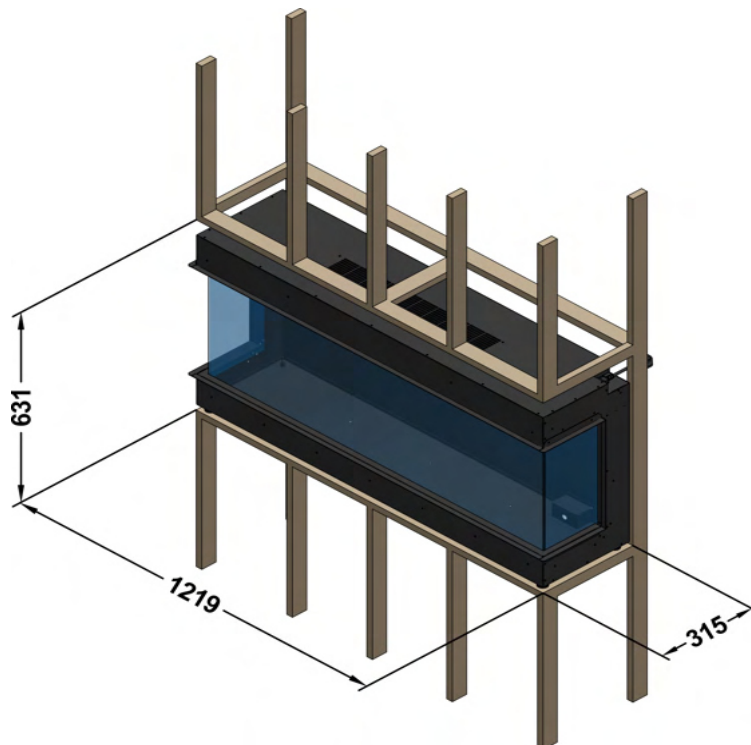
### APPLIANCE DIMENSIONS

Product Code:



FRAME BUILD OUT DIMENSIONS (All dimensions are in millimetres)

H - MIN	W - MAX	C - CAVITY DEPTH
631	1219	315



### DIMENSION NOTES:

\*\* C- CAVITY DEPTH INCLUDES 10MM BACK CLEARANCE.

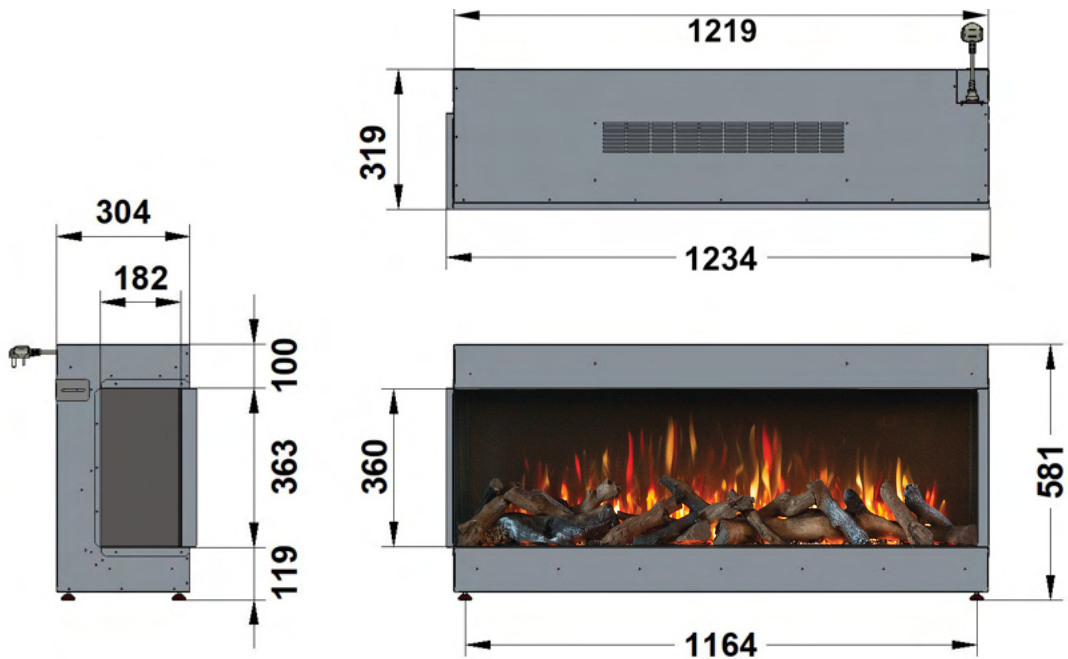
\*\* H- HEIGHT INCLUDES 50MM TOP CLEARANCE.

PLEASE NOTE: DIMENSIONS ARE FOR REFERENCE ONLY - CONSULT YOUR INSTALLER AND RETAILER FOR GUIDANCE

# ilektró 1250 Landscape Left Corner Glass

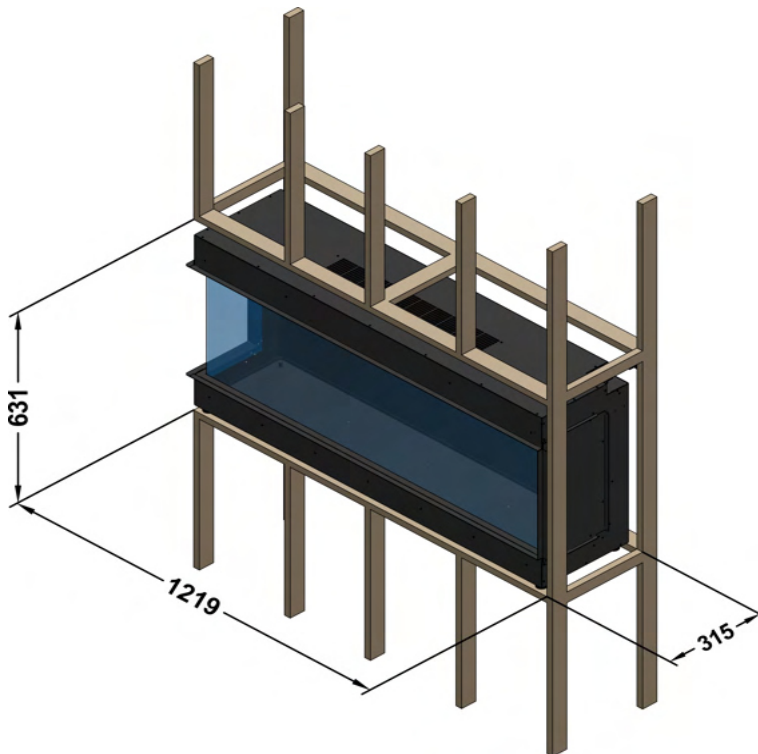
## APPLIANCE DIMENSIONS

Product Code:



## FRAME BUILD OUT DIMENSIONS (All dimensions are in millimetres)

H - MIN	W - MAX	C - CAVITY DEPTH
631	1219	315



### DIMENSION NOTES:

\*\* C- CAVITY DEPTH INCLUDES 10MM BACK CLEARANCE.

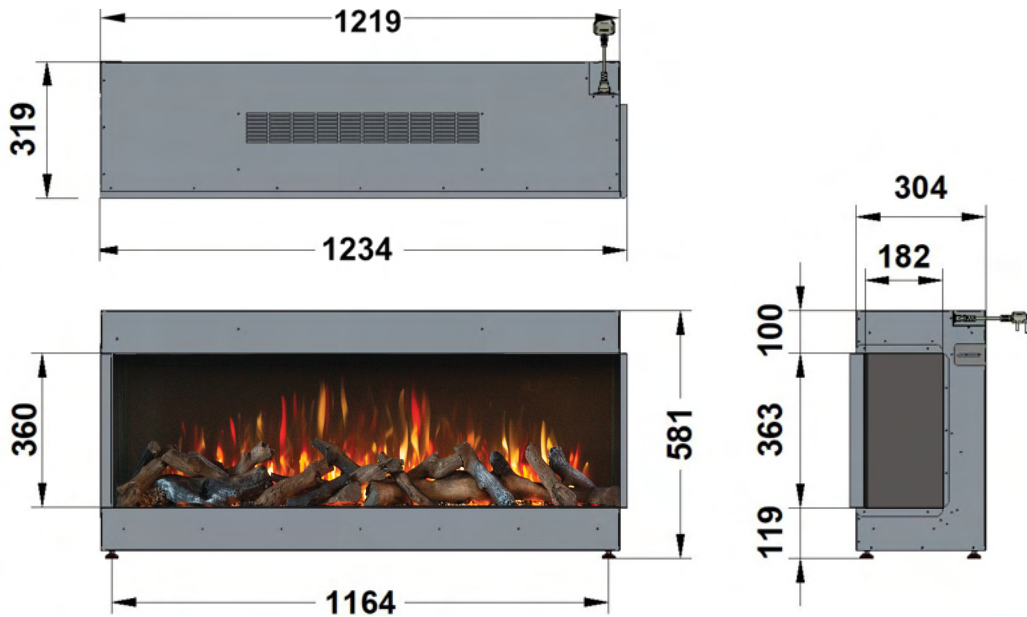
\*\* H- HEIGHT INCLUDES 50MM TOP CLEARANCE.

PLEASE NOTE: DIMENSIONS ARE FOR REFERENCE ONLY - CONSULT YOUR INSTALLER AND RETAILER FOR GUIDANCE

# ilektró 1250 Landscape Right Corner Glass

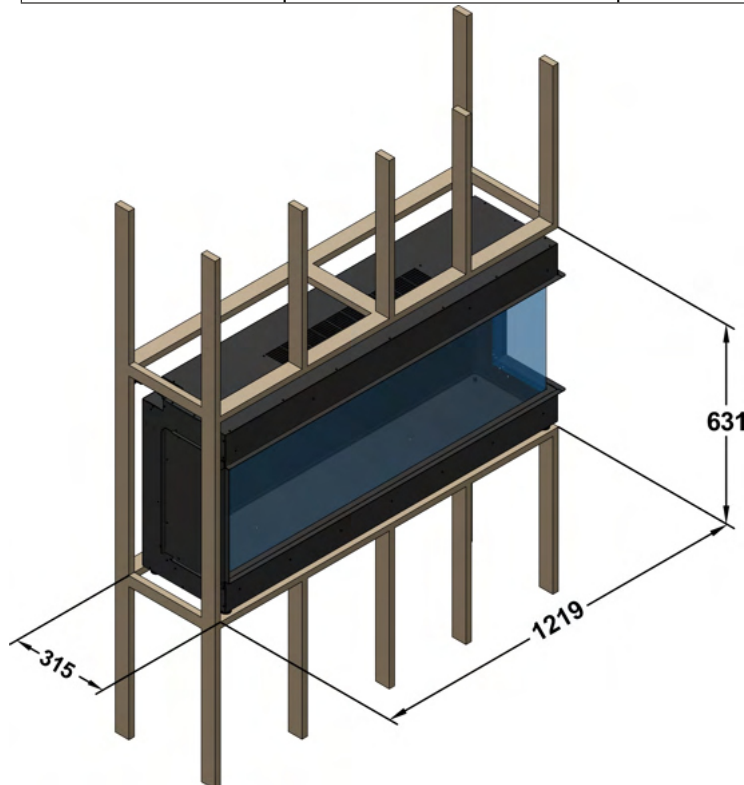
## APPLIANCE DIMENSIONS

Product Code:



## FRAME BUILD OUT DIMENSIONS (All dimensions are in millimetres)

H - MIN	W - MAX	C - CAVITY DEPTH
631	1219	315



### DIMENSION NOTES:

\*\* C- CAVITY DEPTH INCLUDES 10MM BACK CLEARANCE.

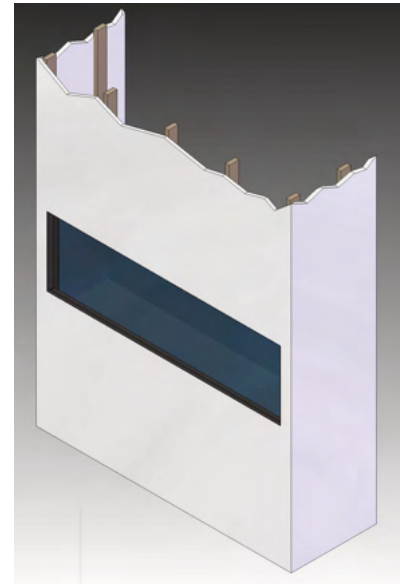
\*\* H- HEIGHT INCLUDES 50MM TOP CLEARANCE.

PLEASE NOTE: DIMENSIONS ARE FOR REFERENCE ONLY - CONSULT YOUR INSTALLER AND RETAILER FOR GUIDANCE

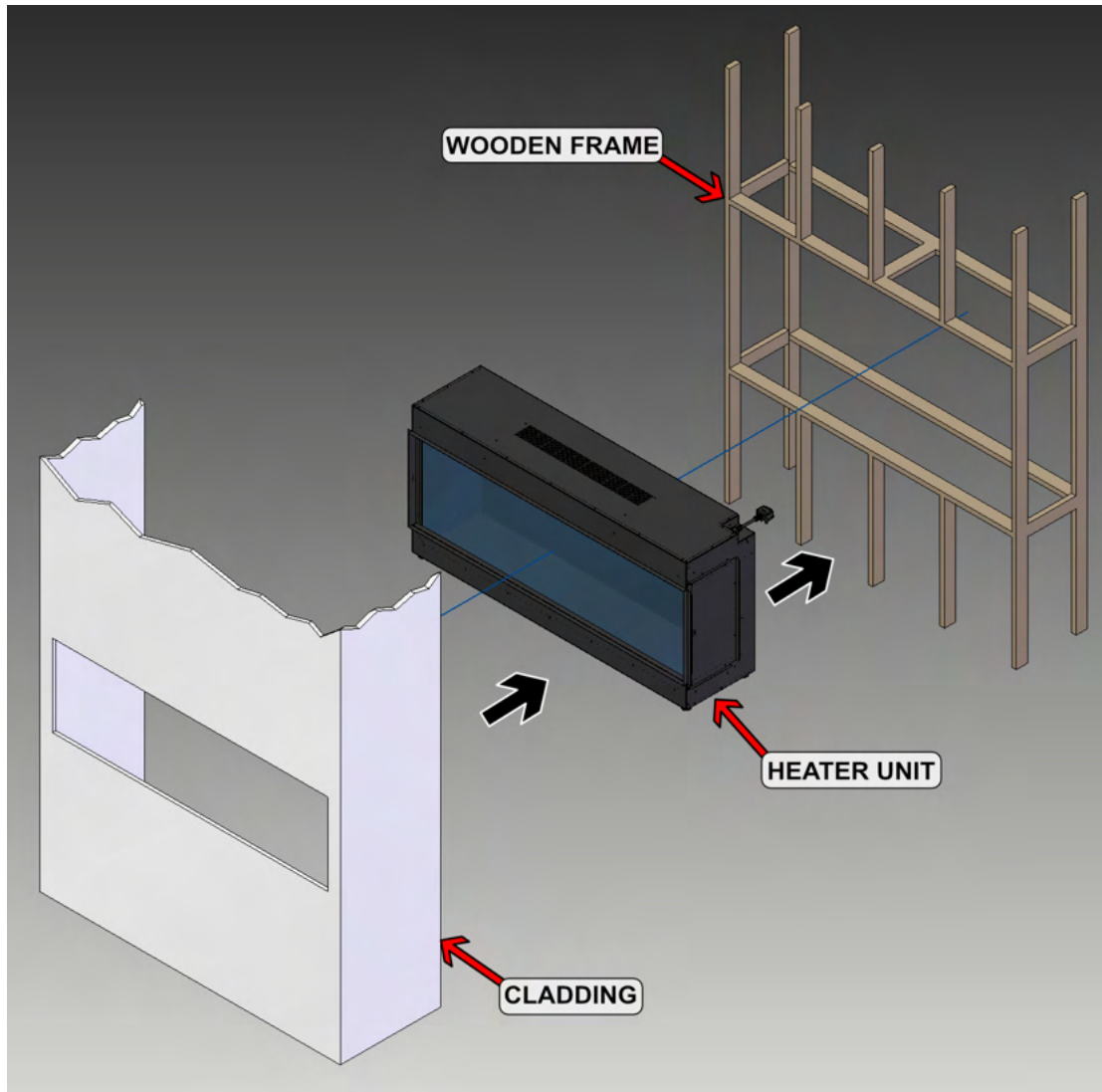
## ilektró 1250 Landscape

**Note:**

Above given dimensions are for frame structure only.

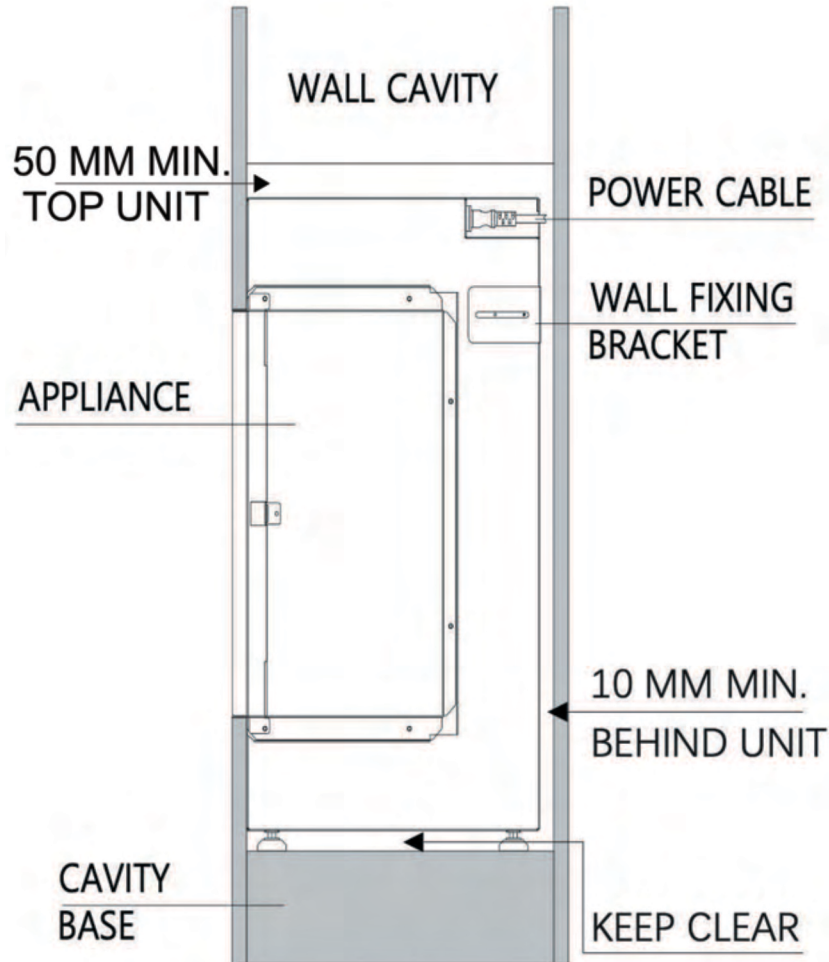


### EXPLODED VIEW



## ilektró 1250 Landscape

### POSITIONING YOUR APPLIANCE



#### NOTE:

No fixtures are supplied to secure the appliance to the chosen wall. Ensure an appropriate fixing method is used depending on the construction material of the wall.

- When installing into a wall cavity space, a stud work enclosure should be built to house the appliance. Refer to frame out build sheet.
- Finish the enclosure in the chosen material ensuring cladding are pushed up to the edge frame around the glass of the unit.
- If your appliance is not level when installed the glass corner fit will be misaligned.

## CAUTION

### TELEVISION INSTALLATION MANDATORY REQUIREMENTS

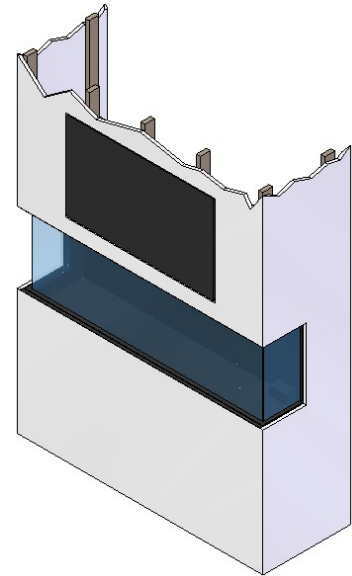
When fitting a television above the fireplace the following installation must be adhered to.

Debris and dust will fall into the fan slots above the appliance causing damage unless protected. It is a requirement to set a shelf as shown below.

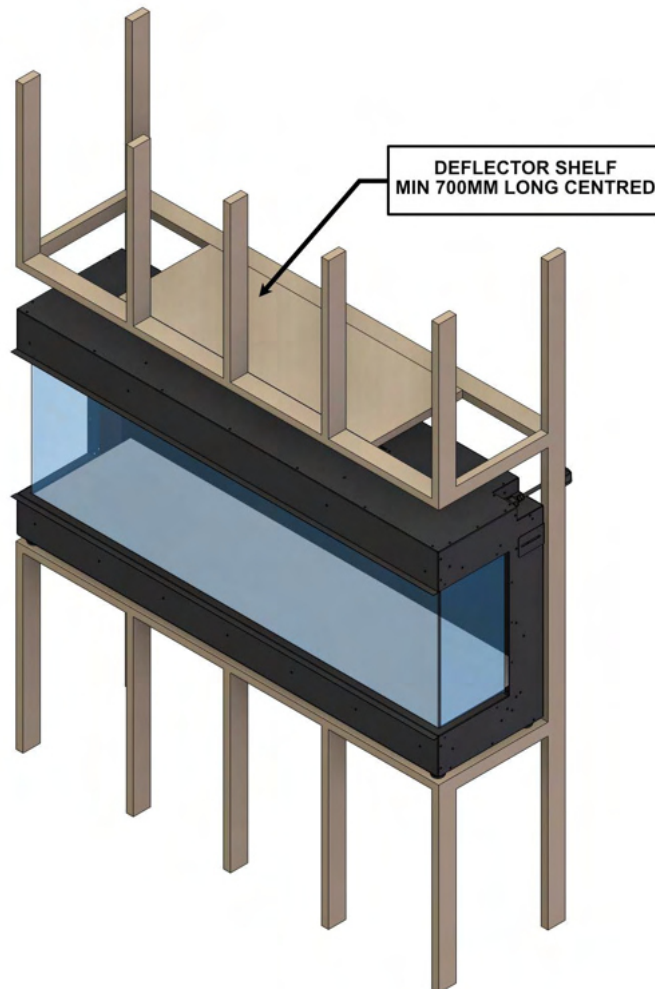
Option 1: Shelf to be made during framing

Option 2: Deflector plate as an accessories

**CAUTION:** Appliance warranty will be void if the shelf or deflector plate is not installed.



#### Option 1:





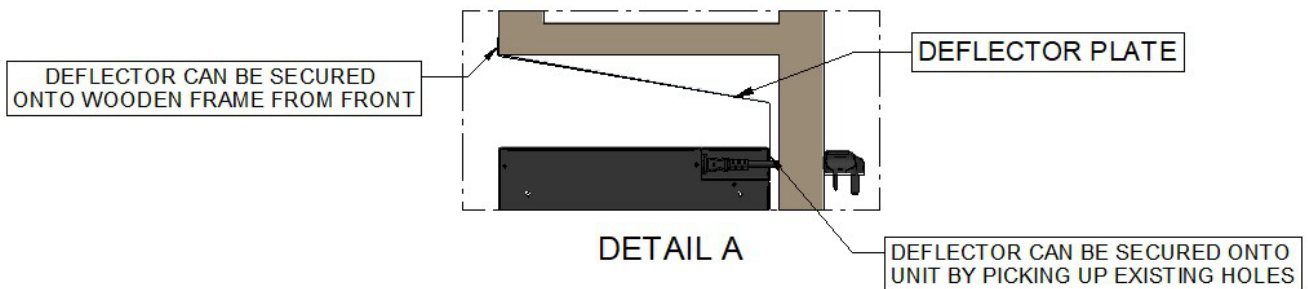
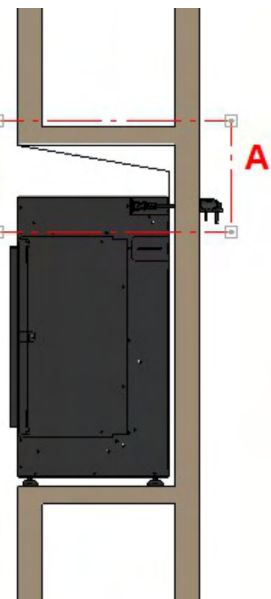
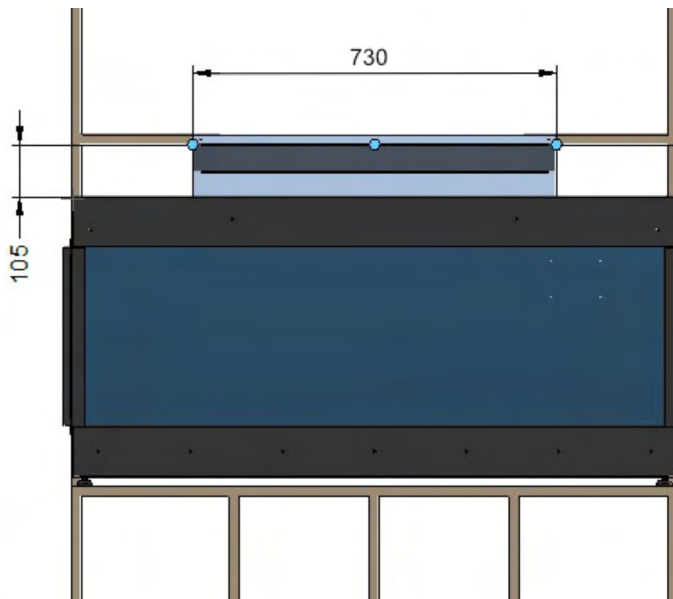
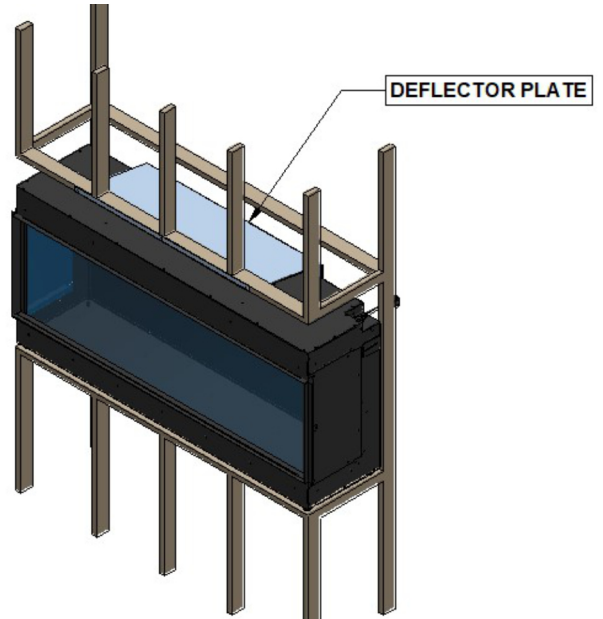
**CAUTION**

**TELEVISION INSTALLATION MANDATORY REQUIREMENTS**

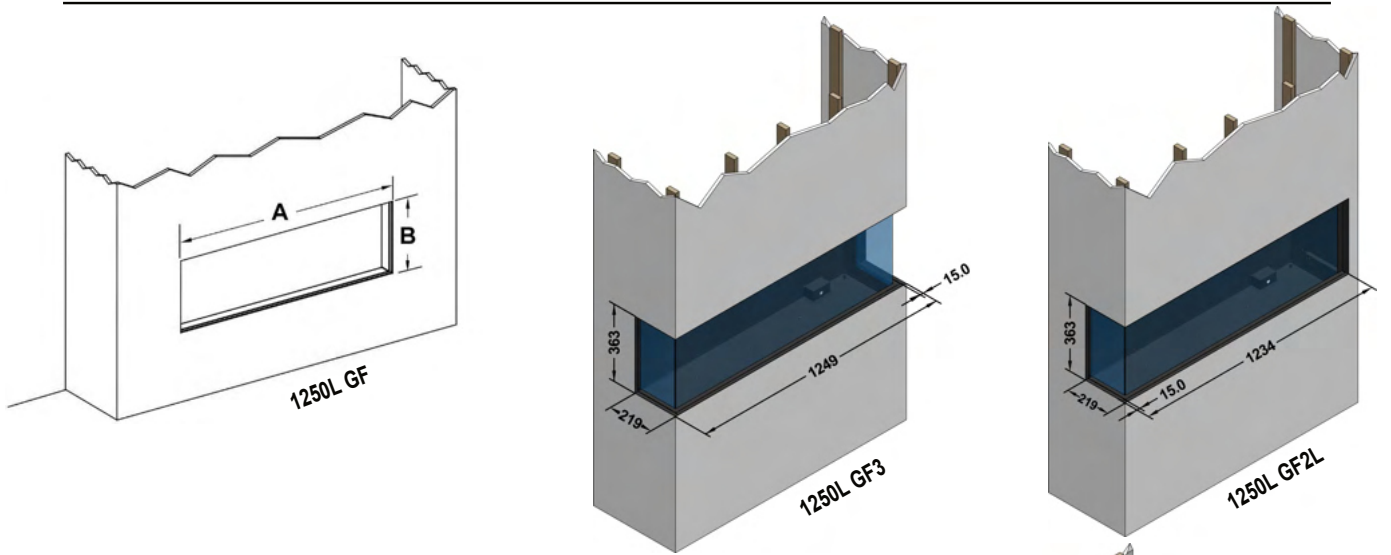
**Option 2:**

Deflector plate can be secured to wooden frame through self tappers; refer to detail A.

Rear side of the deflector plates can be secured to the fire place by picking up the existing screw holes; refer to detail A.



## ilektró 1250 Landscape



Model	A	B	C	D	E	F	G
1250L GF	1219mm	363mm	581mm	219mm	315mm	100mm	119mm
1250L GF3	1249mm	363mm	581mm	219mm	315mm	100mm	119mm
1250L GF2L	1234mm	363mm	581mm	219mm	315mm	100mm	119mm
1250L GF2R	1234mm	363mm	581mm	219mm	315mm	100mm	119mm

The above table contains the **minimum** opening A

= Width to outside of plaster flanges

B = Height to outside of plaster flanges

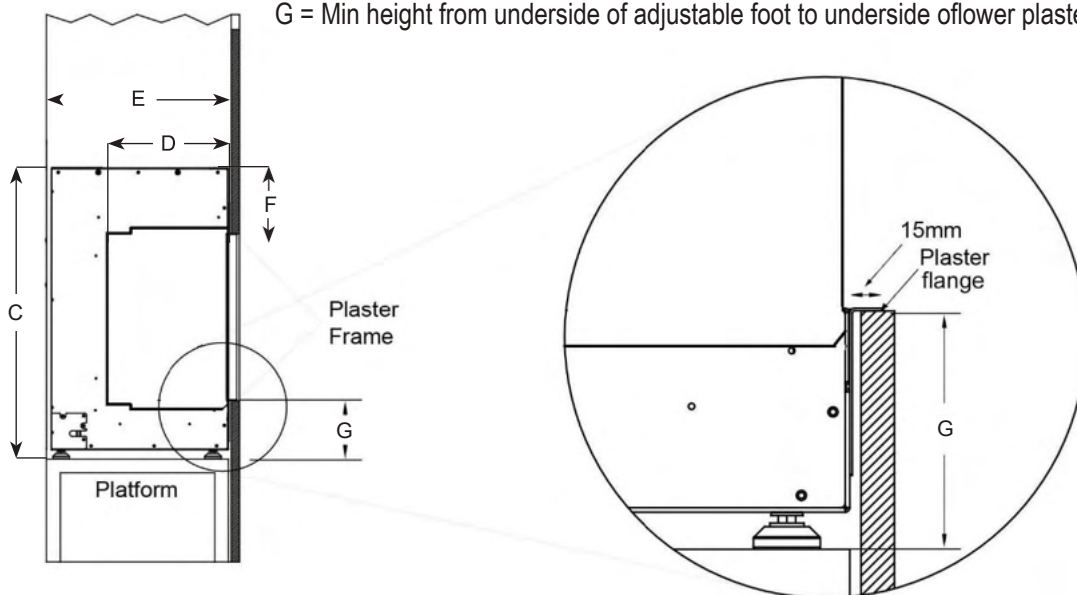
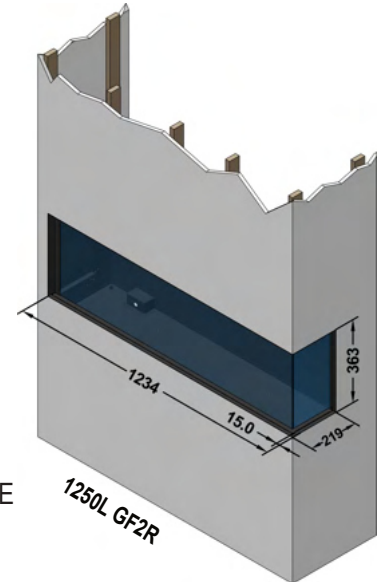
C = Height of fire (min)

D = Depth from front of fire body to rear of side plaster flange

E = Depth of fire (+1MM TOL)

F = Height of fire above top plaster bead

G = Min height from underside of adjustable foot to underside of lower plaster flange



Distributed By

**PAUL AGNEW** | **DESIGNS**®

[info@paulagnewdesigns.com](mailto:info@paulagnewdesigns.com) | [www.paulagnewdesigns.com](http://www.paulagnewdesigns.com)