

ilekτρο Range

2600 Landscape

SPECIFICATION SHEET



Version 1 27/05/24

Contents of manual may be updated without notice.
For the latest version of this manual please refer to
our website: www.paulagnewdesigns.com.au

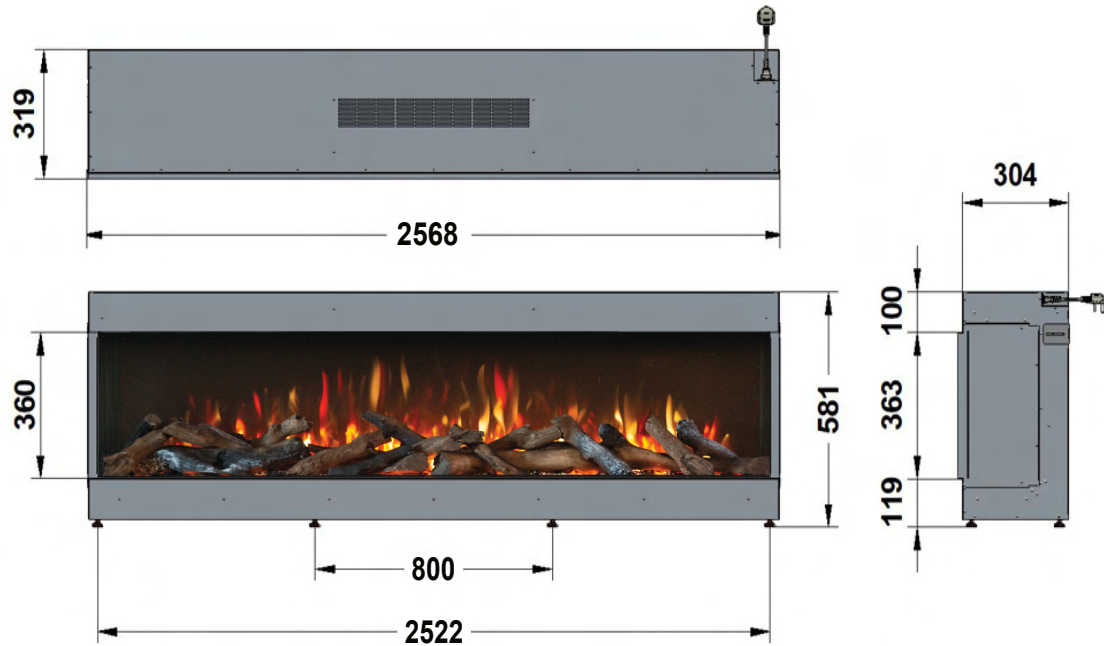
PAUL AGNEW

DESIGNS

ilektró 2600 Landscape Glass Fronted

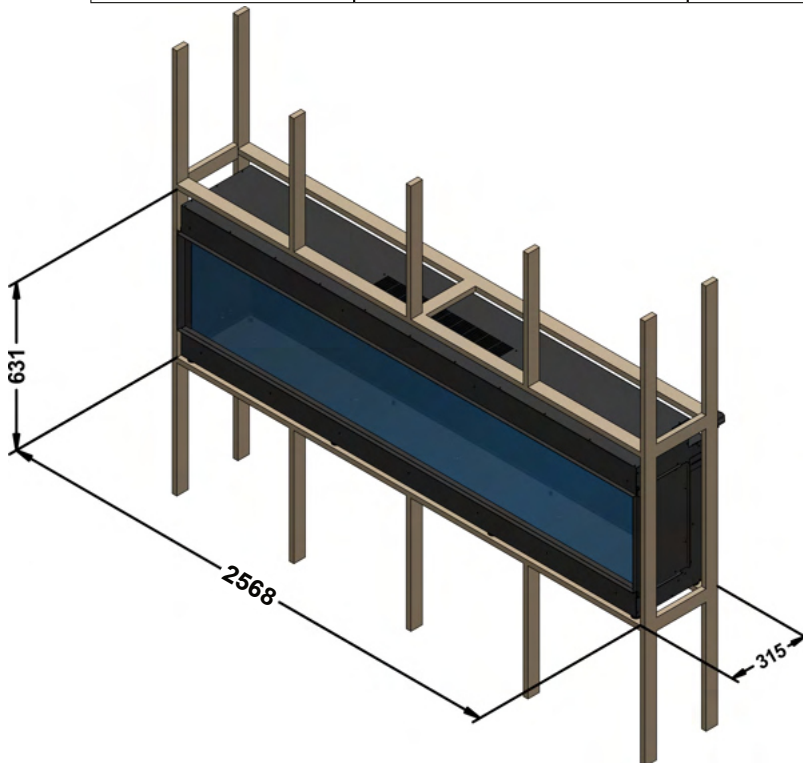
APPLIANCE DIMENSIONS

Product Code:



FRAME BUILD OUT DIMENSIONS (All dimensions are in millimetres)

| H - MIN | W - MIN | C - CAVITY DEPTH |
|---------|---------|------------------|
| 631 | 2568 | 315 |



DIMENSION NOTES:

** C- CAVITY DEPTH INCLUDES 10MM BACK CLEARANCE.

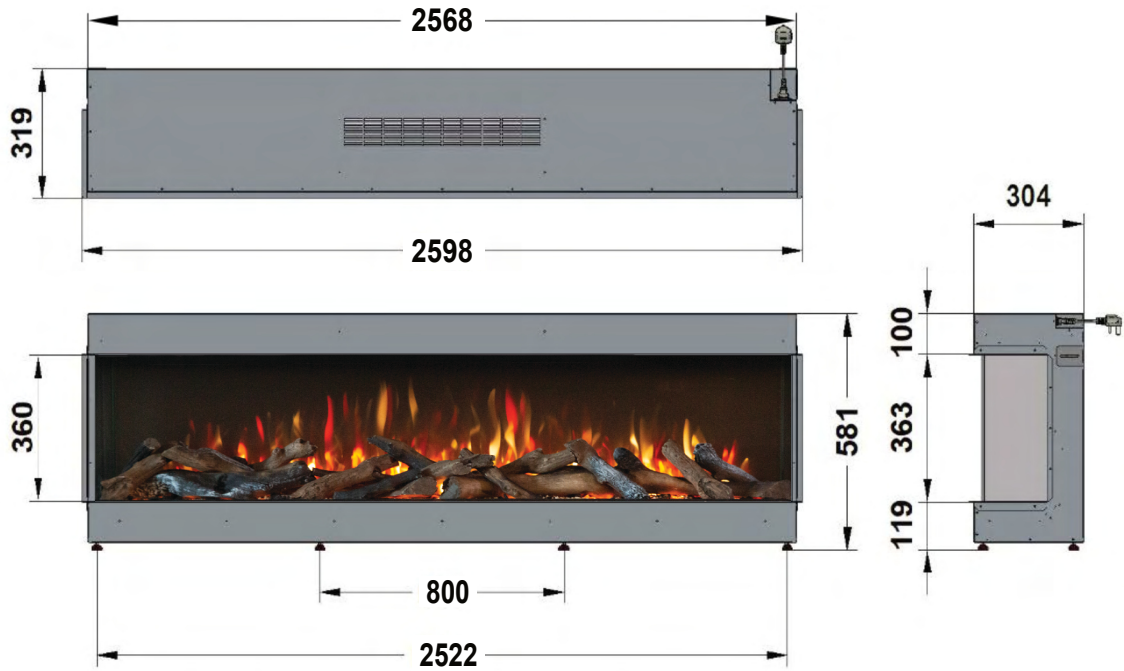
** H- HEIGHT INCLUDES 50MM TOP CLEARANCE.

PLEASE NOTE: DIMENSIONS ARE FOR REFERENCE ONLY - CONSULT YOUR INSTALLER AND RETAILER FOR GUIDANCE

ilektró 2600 Landscape Bay

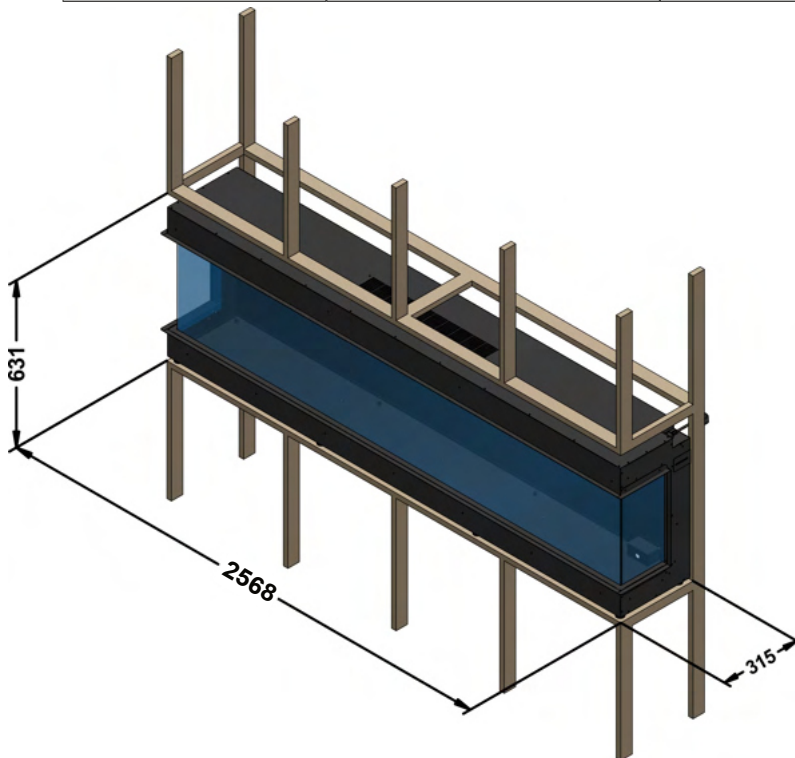
APPLIANCE DIMENSIONS

Product Code:



FRAME BUILD OUT DIMENSIONS (All dimensions are in millimetres)

| H - MIN | W - MAX | C - CAVITY DEPTH |
|---------|---------|------------------|
| 631 | 2568 | 315 |



DIMENSION NOTES:

** C- CAVITY DEPTH INCLUDES 10MM BACK CLEARANCE.

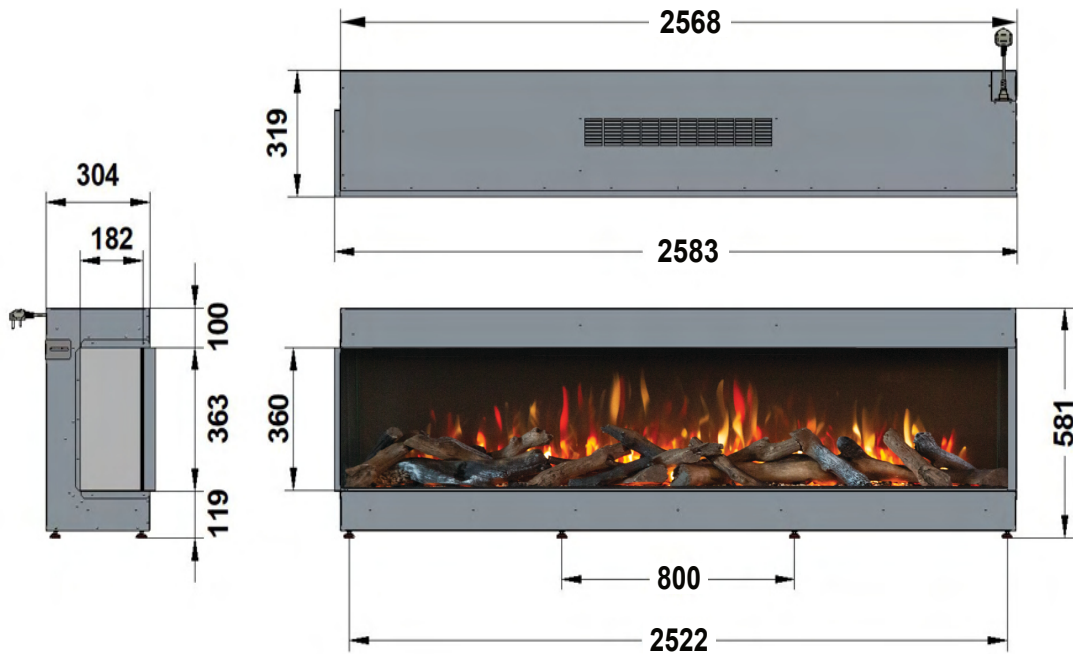
** H- HEIGHT INCLUDES 50MM TOP CLEARANCE.

PLEASE NOTE: DIMENSIONS ARE FOR REFERENCE ONLY - CONSULT YOUR INSTALLER AND RETAILER FOR GUIDANCE

ilektró 2600 Landscape Left Corner Glass

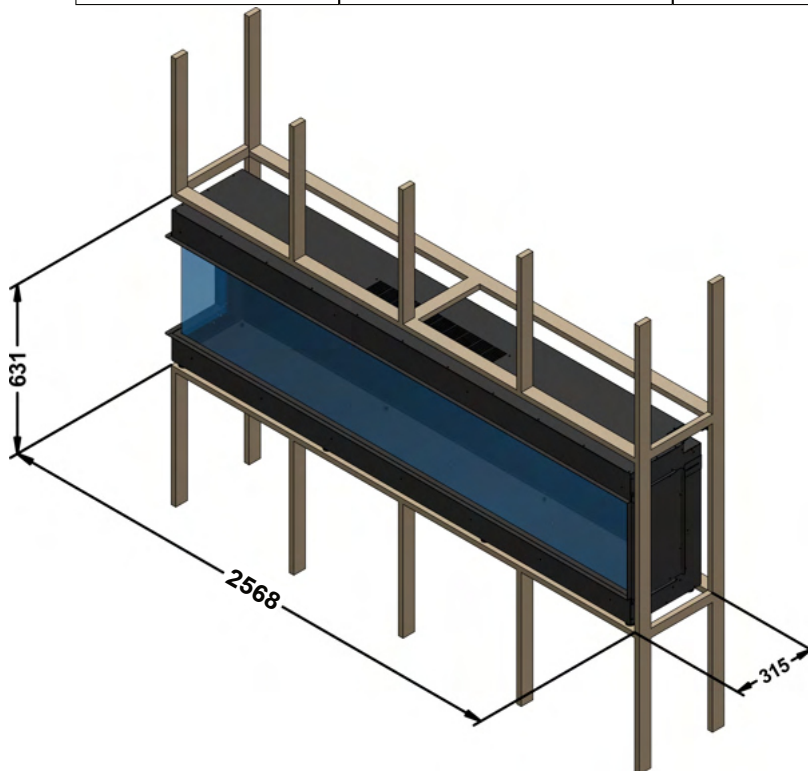
APPLIANCE DIMENSIONS

Product Code:



FRAME BUILD OUT DIMENSIONS (All dimensions are in millimetres)

| H - MIN | W - MAX | C - CAVITY DEPTH |
|---------|---------|------------------|
| 631 | 2568 | 315 |



DIMENSION NOTES:

** C- CAVITY DEPTH INCLUDES 10MM BACK CLEARANCE.

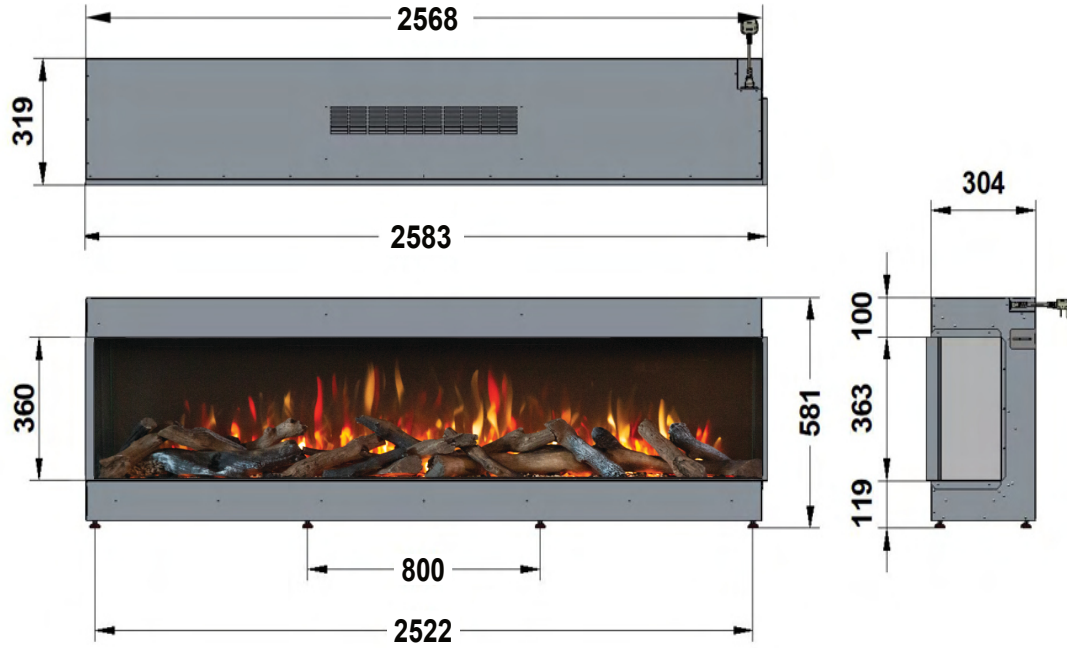
** H- HEIGHT INCLUDES 50MM TOP CLEARANCE.

PLEASE NOTE: DIMENSIONS ARE FOR REFERENCE ONLY - CONSULT YOUR INSTALLER AND RETAILER FOR GUIDANCE

ilektró 2600 Landscape Right Corner Glass

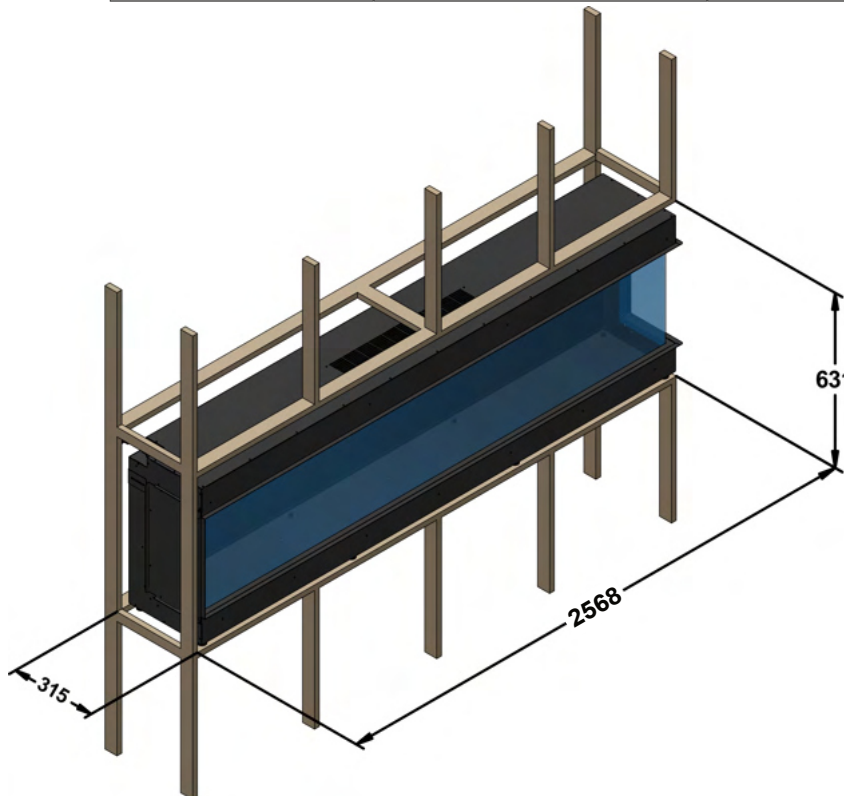
APPLIANCE DIMENSIONS

Product Code:



FRAME BUILD OUT DIMENSIONS (All dimensions are in millimetres)

| H - MIN | W - MAX | C - CAVITY DEPTH |
|---------|---------|------------------|
| 631 | 2568 | 315 |



DIMENSION NOTES:

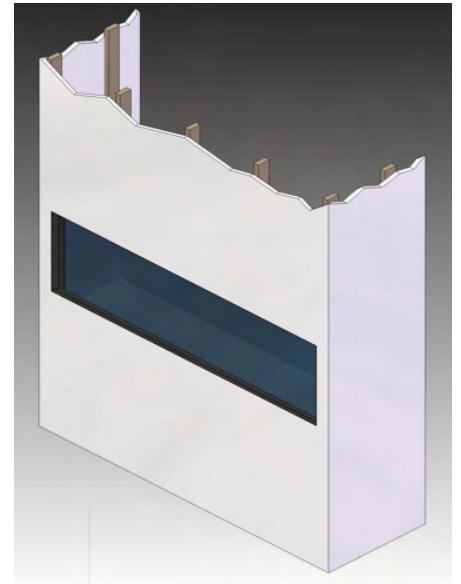
- ** C- CAVITY DEPTH INCLUDES 10MM BACK CLEARANCE.
- ** H- HEIGHT INCLUDES 50MM TOP CLEARANCE.

PLEASE NOTE: DIMENSIONS ARE FOR REFERENCE ONLY - CONSULT YOUR INSTALLER AND RETAILER FOR GUIDANCE

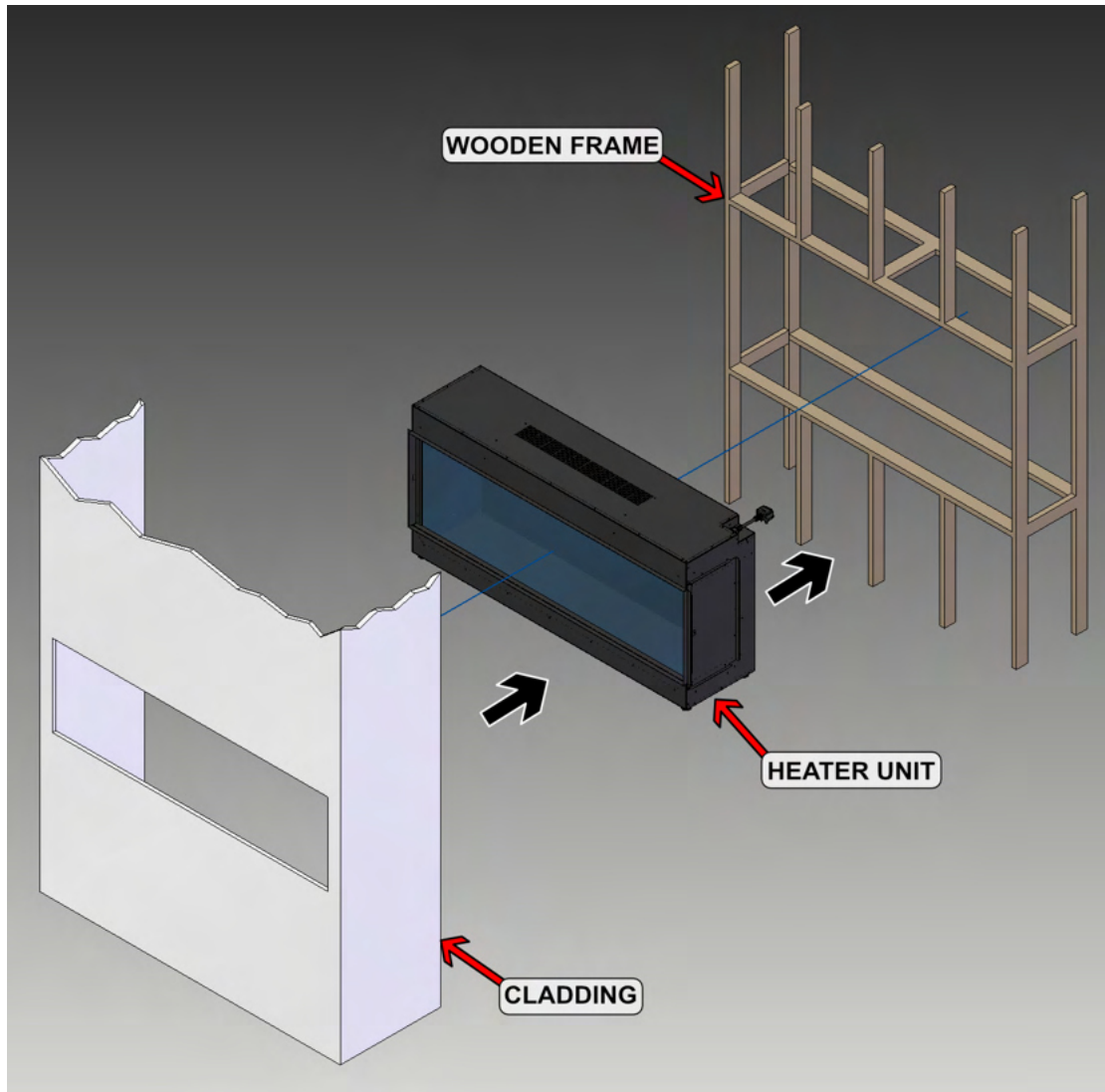
ilektro 2600 Landscape

Note:

Above given dimensions are for frame structure only.

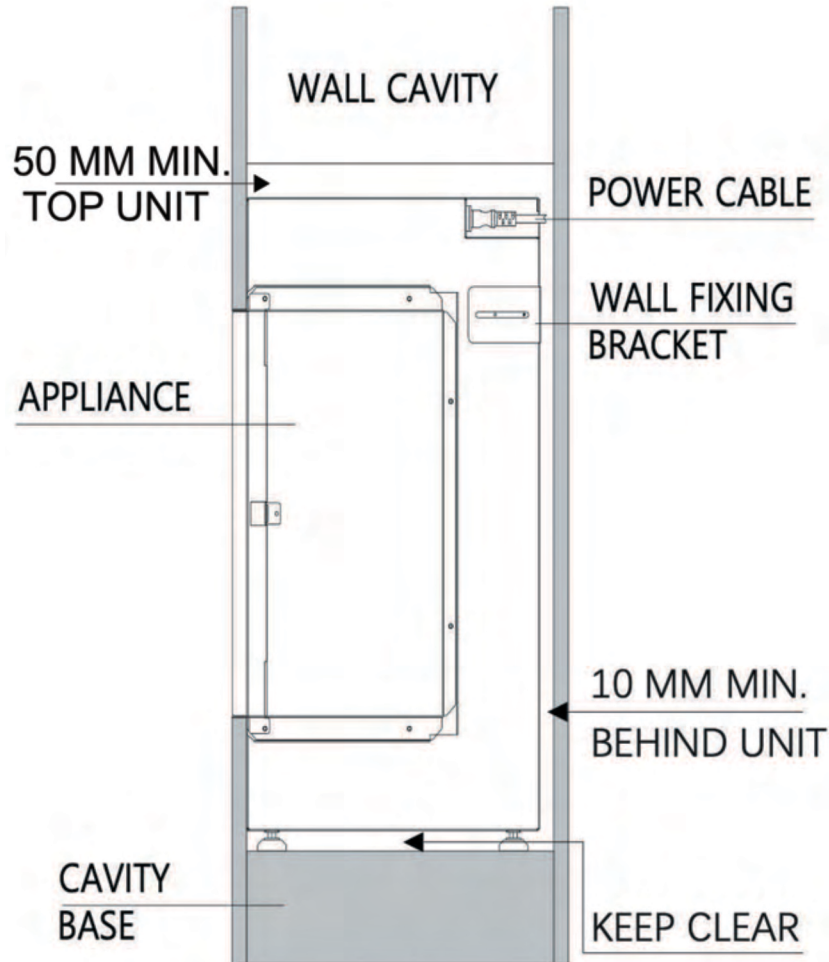


EXPLODED VIEW



ilektró 2600 Landscape

POSITIONING YOUR APPLIANCE



NOTE:

No fixtures are supplied to secure the appliance to the chosen wall. Ensure an appropriate fixing method is used depending on the construction material of the wall.

- When installing into a wall cavity space, a stud work enclosure should be built to house the appliance. Refer to frame out build sheet.
- Finish the enclosure in the chosen material ensuring cladding are pushed up to the edge frame around the glass of the unit.
- If your appliance is not level when installed the glass corner fit will be misaligned.

CAUTION

TELEVISION INSTALLATION MANDATORY REQUIREMENTS

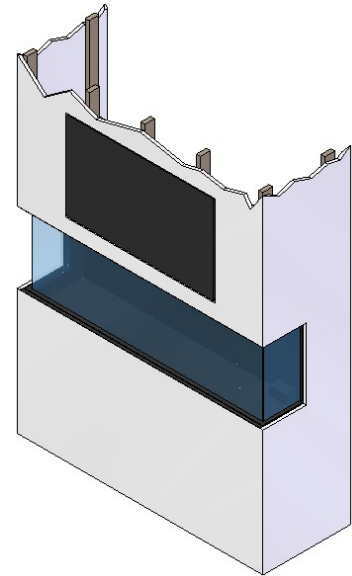
When fitting a television above the fireplace the following installation must be adhered to.

Debris and dust will fall into the fan slots above the appliance causing damage unless protected. It is a requirement to set a shelf as shown below.

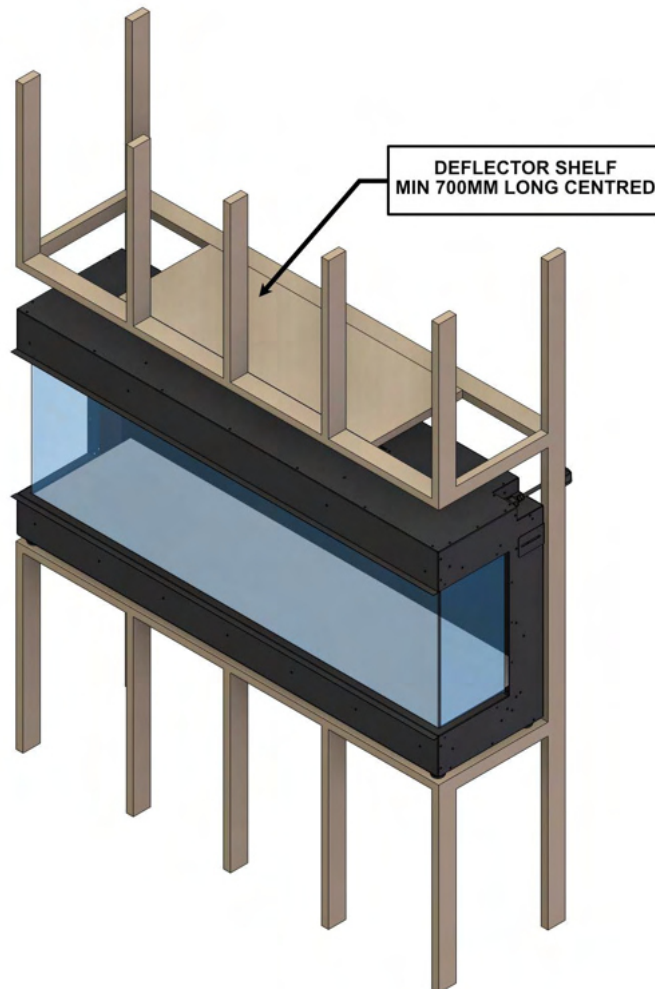
Option 1: Shelf to be made during framing

Option 2: Deflector plate as an accessories

CAUTION: Appliance warranty will be void if the shelf or deflector plate is not installed.



Option 1:



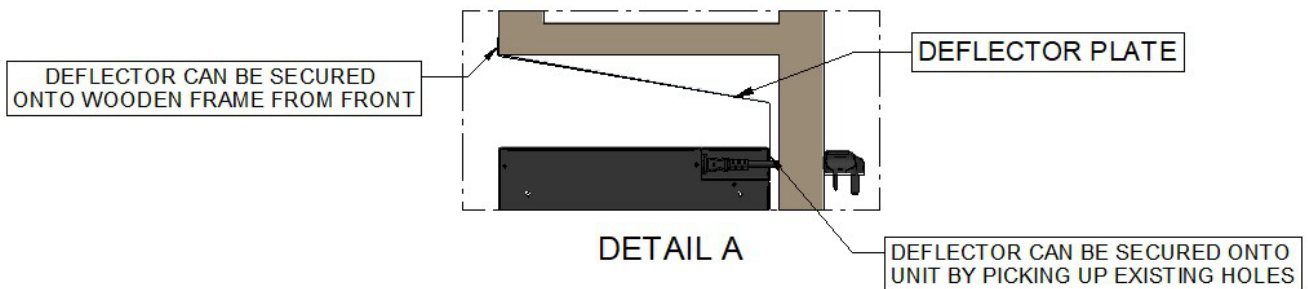
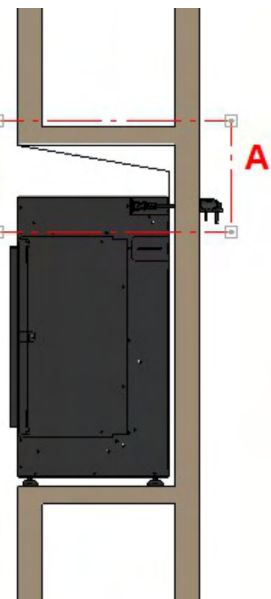
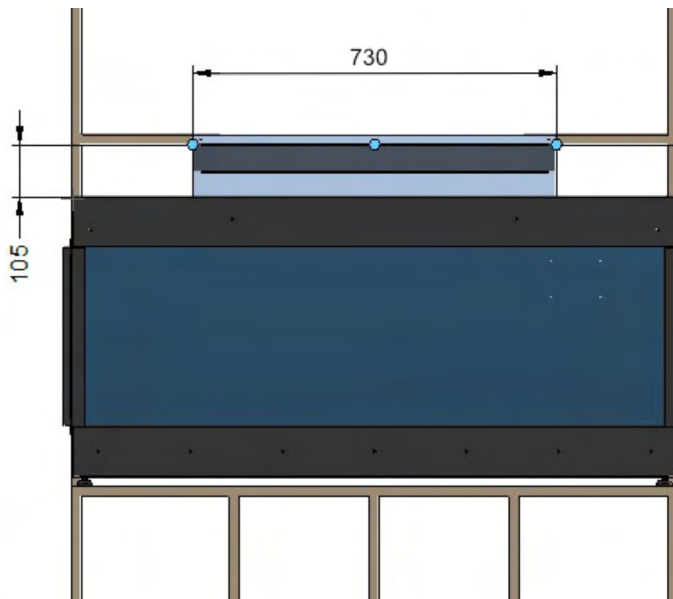
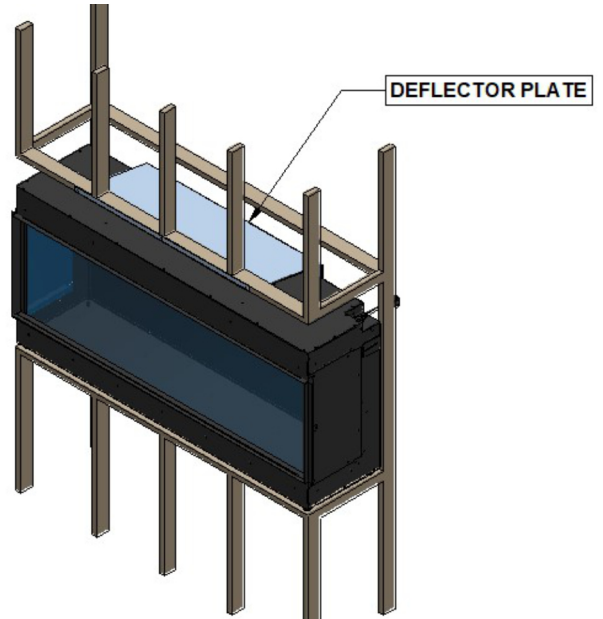
CAUTION

TELEVISION INSTALLATION MANDATORY REQUIREMENTS

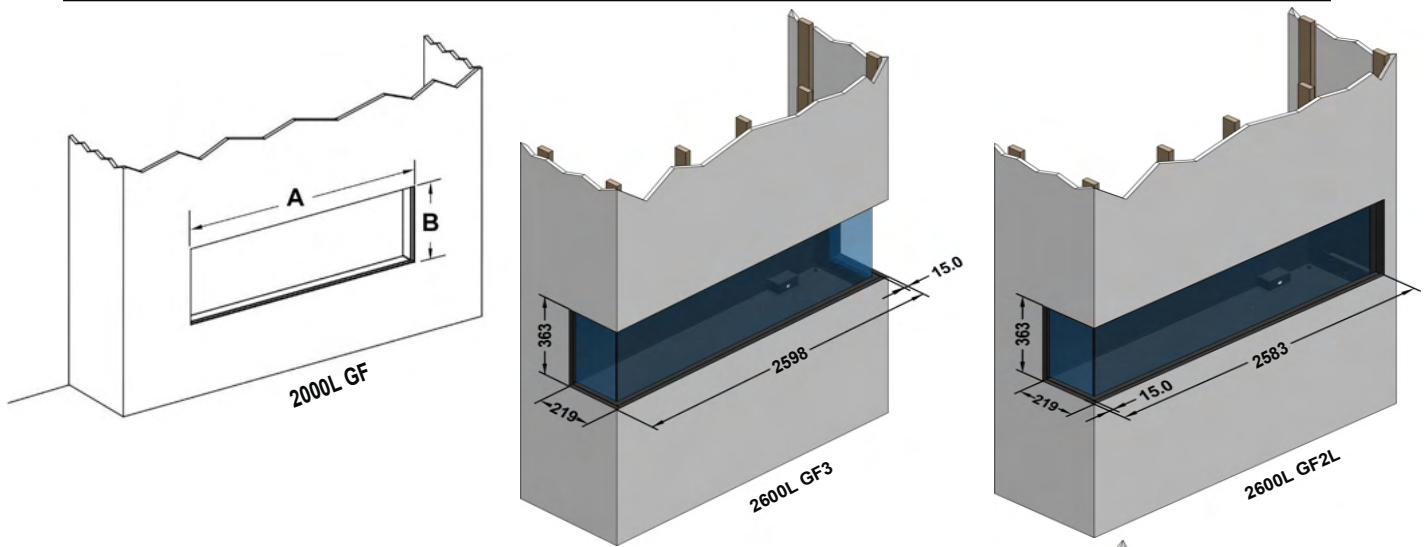
Option 2:

Deflector plate can be secured to wooden frame through self tappers; refer to detail A.

Rear side of the deflector plates can be secured to the fire place by picking up the existing screw holes; refer to detail A.



ilektró 2600 Landscape



| Model | A | B | C | D | E | F | G |
|------------|--------|-------|-------|-------|-------|-------|-------|
| 2600L GF | 2568mm | 363mm | 581mm | 219mm | 315mm | 100mm | 119mm |
| 2600L GF3 | 2598mm | 363mm | 581mm | 219mm | 315mm | 100mm | 119mm |
| 2600L GF2L | 2583mm | 363mm | 581mm | 219mm | 315mm | 100mm | 119mm |
| 2600L GF2R | 2583mm | 363mm | 581mm | 219mm | 315mm | 100mm | 119mm |

The above table contains the **minimum** opening

A = Width to outside of plaster flanges

B = Height to outside of plaster flanges

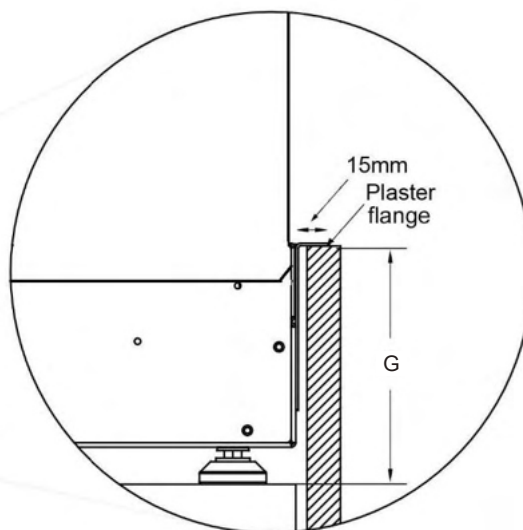
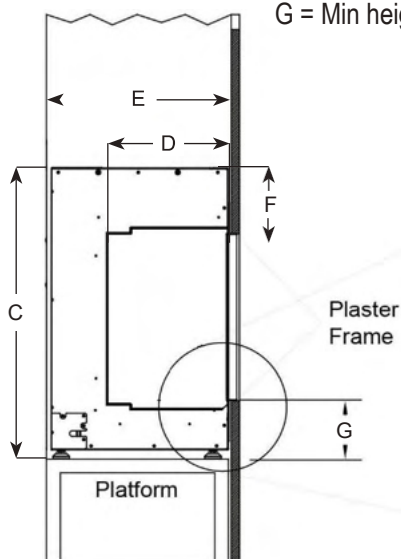
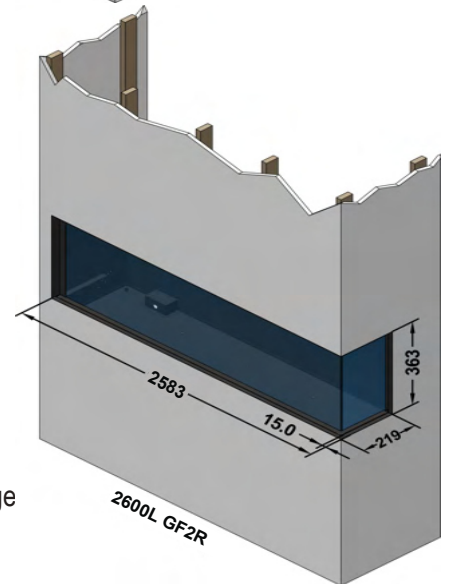
C = Height of fire (min)

D = Depth from front of fire body to rear of side plaster flange

= Depth of fire (+1MM TOL)

F = Height of fire above top plaster bead

G = Min height from underside of adjustable foot to underside of lower plaster flange



Distributed By

PAUL AGNEW | DESIGNS[®]

info@paulagnewdesigns.com | www.paulagnewdesigns.com