

# ilekτρο Range

## 950 Aspect

SPECIFICATION SHEET



Version 4 27/02/23

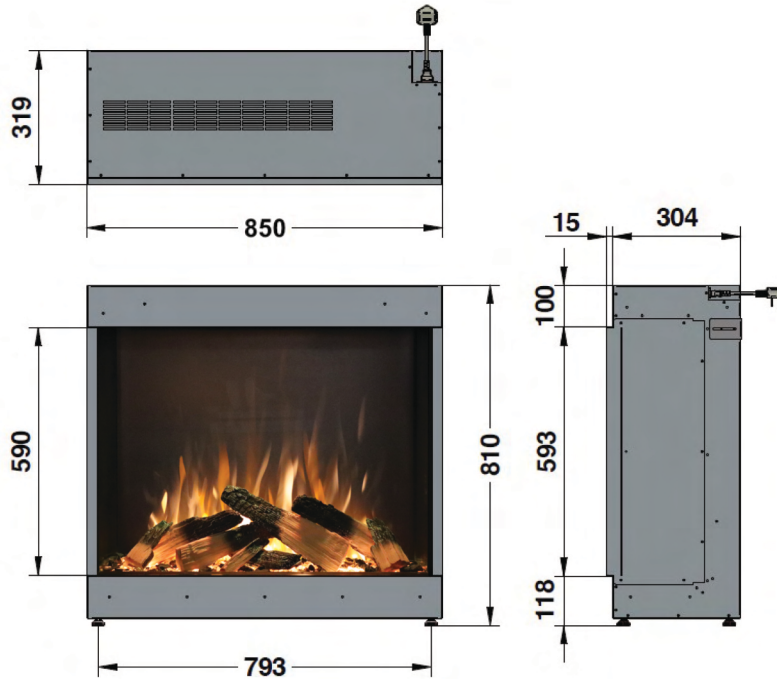
Contents of manual may be updated without notice.  
For the latest version of this manual please refer to  
our website: [www.paulagnewdesigns.com.au](http://www.paulagnewdesigns.com.au)

**PAUL AGNEW** | **DESIGNS**

## ilektró 950 Aspect Glass Fronted

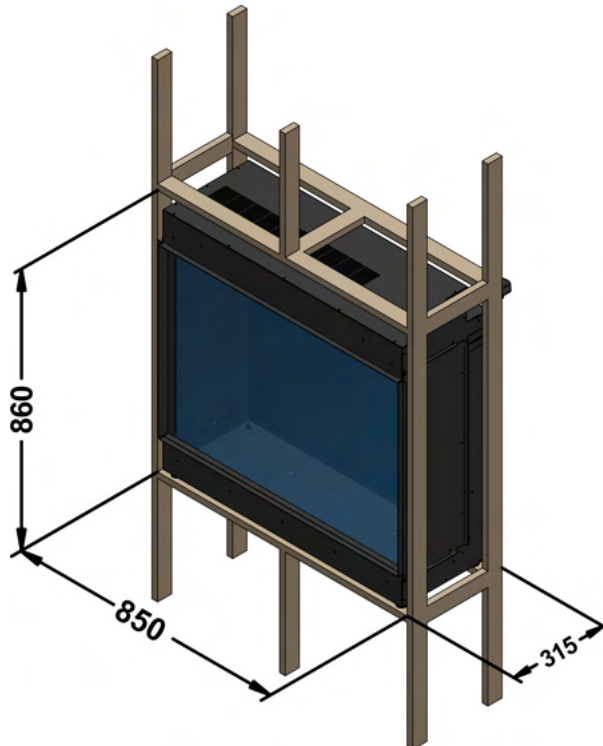
### APPLIANCE DIMENSIONS

Product Code:



### FRAME BUILD OUT DIMENSIONS (All dimensions are in millimetres)

H - MIN	W - MIN	C - CAVITY DEPTH
860	850	315



### DIMENSION NOTES:

\*\* C- CAVITY DEPTH INCLUDES 10MM BACK CLEARANCE.

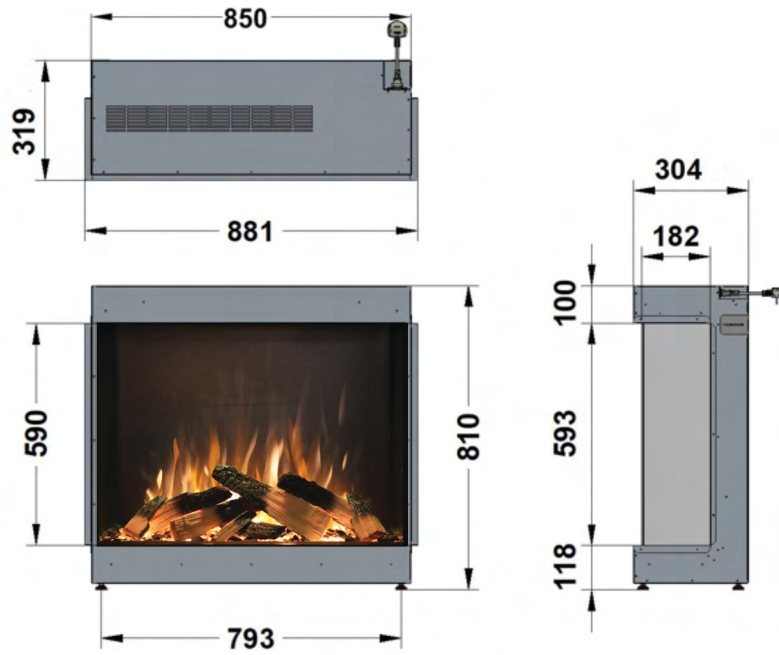
\*\* H- HEIGHT INCLUDES 50MM TOP CLEARANCE.

PLEASE NOTE: DIMENSIONS ARE FOR REFERENCE ONLY - CONSULT YOUR INSTALLER AND RETAILER FOR GUIDANCE

## ilektró 950 Aspect Bay

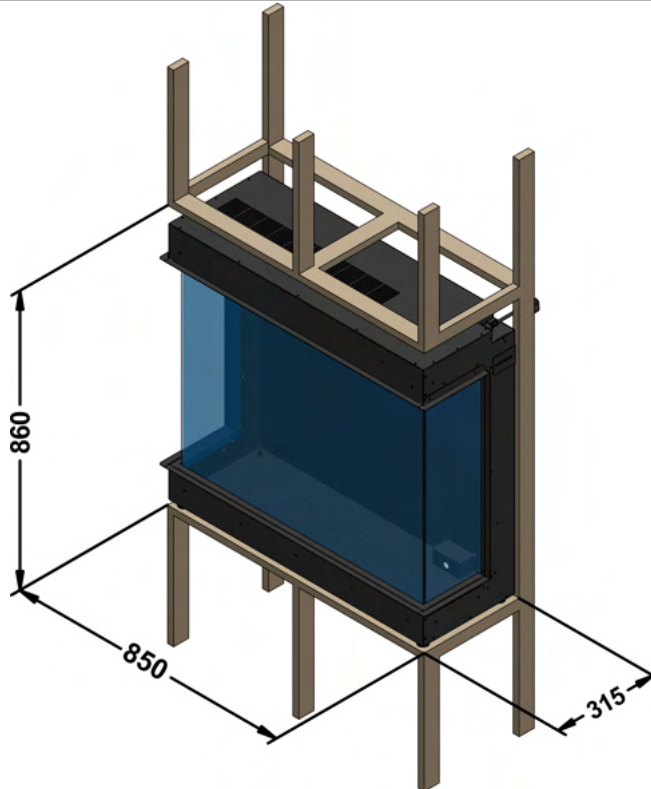
### APPLIANCE DIMENSIONS

Product Code:



FRAME BUILD OUT DIMENSIONS (All dimensions are in millimetres)

H - MIN	W - MAX	C - CAVITY DEPTH
860	850	315



### DIMENSION NOTES:

\*\* C- CAVITY DEPTH INCLUDES 10MM BACK CLEARANCE.

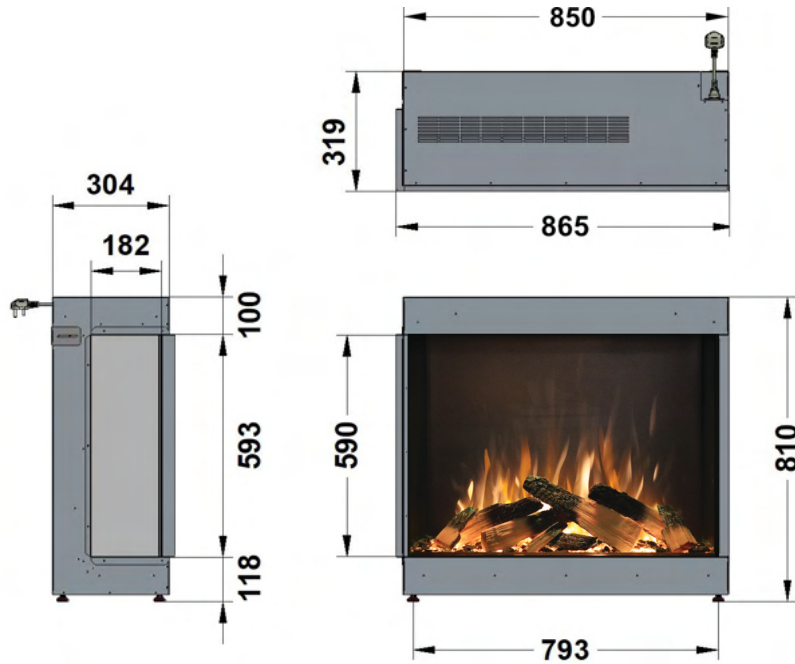
\*\* H- HEIGHT INCLUDES 50MM TOP CLEARANCE.

PLEASE NOTE: DIMENSIONS ARE FOR REFERENCE ONLY - CONSULT YOUR INSTALLER AND RETAILER FOR GUIDANCE

## ilektró 950 Aspect Left Corner Glass

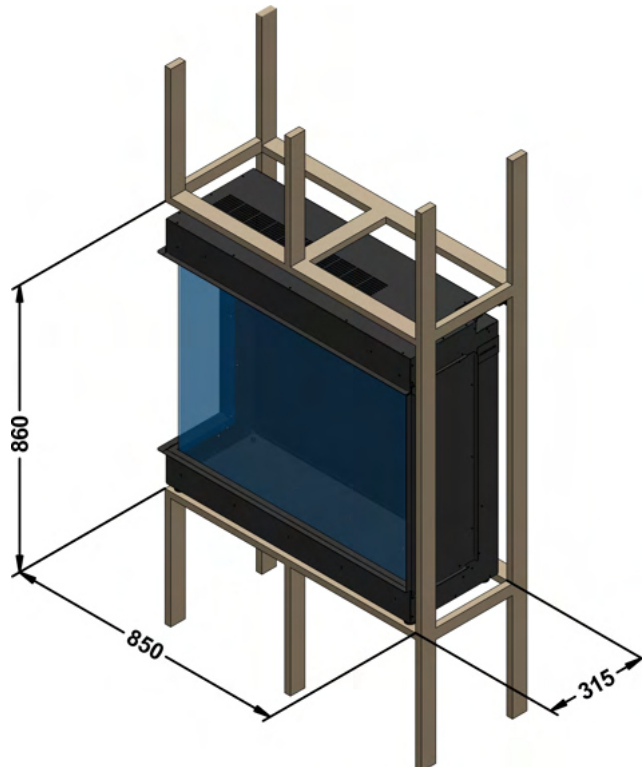
### APPLIANCE DIMENSIONS

Product Code:



### FRAME BUILD OUT DIMENSIONS (All dimensions are in millimetres)

H - MIN	W - MAX	C - CAVITY DEPTH
860	850	315



### DIMENSION NOTES:

\*\* C- CAVITY DEPTH INCLUDES 10MM BACK CLEARANCE.

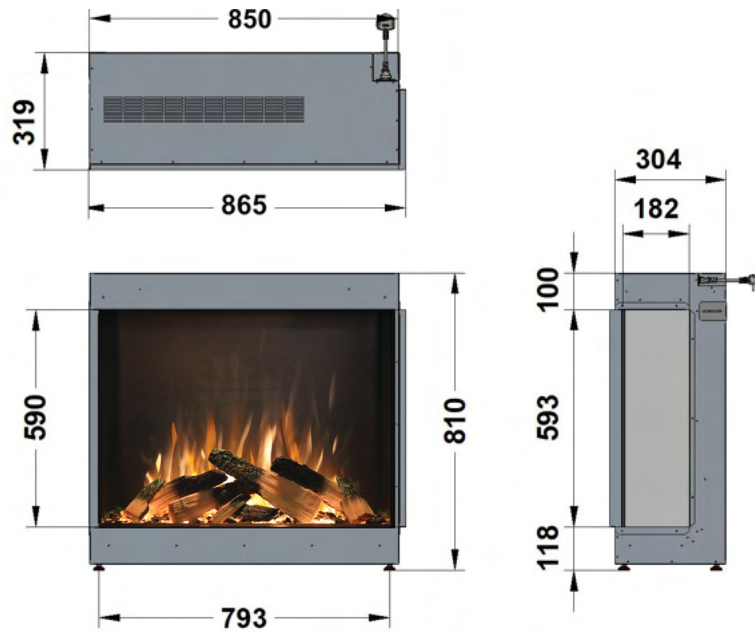
\*\* H- HEIGHT INCLUDES 50MM TOP CLEARANCE.

PLEASE NOTE: DIMENSIONS ARE FOR REFERENCE ONLY - CONSULT YOUR INSTALLER AND RETAILER FOR GUIDANCE

# ilektró 950 Aspect Right Corner Glass

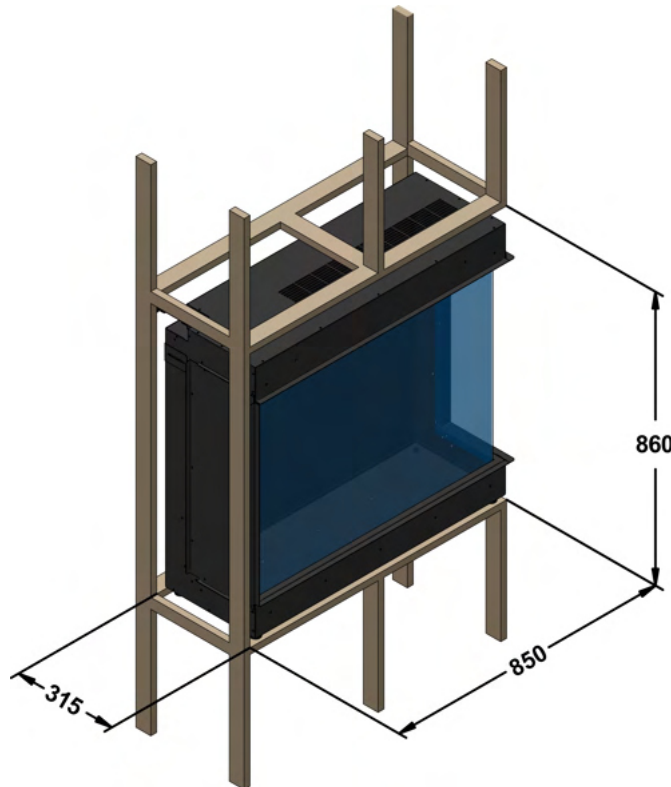
## APPLIANCE DIMENSIONS

Product Code:



## FRAME BUILD OUT DIMENSIONS (All dimensions are in millimetres)

H - MIN	W - MAX	C - CAVITY DEPTH
860	850	315



### DIMENSION NOTES:

\*\* C- CAVITY DEPTH INCLUDES 10MM BACK CLEARANCE.

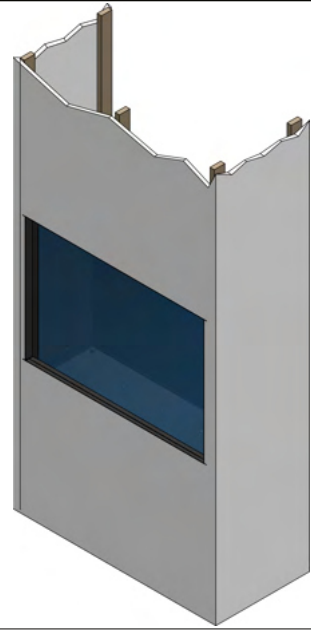
\*\* H- HEIGHT INCLUDES 50MM TOP CLEARANCE.

PLEASE NOTE: DIMENSIONS ARE FOR REFERENCE ONLY - CONSULT YOUR INSTALLER AND RETAILER FOR GUIDANCE

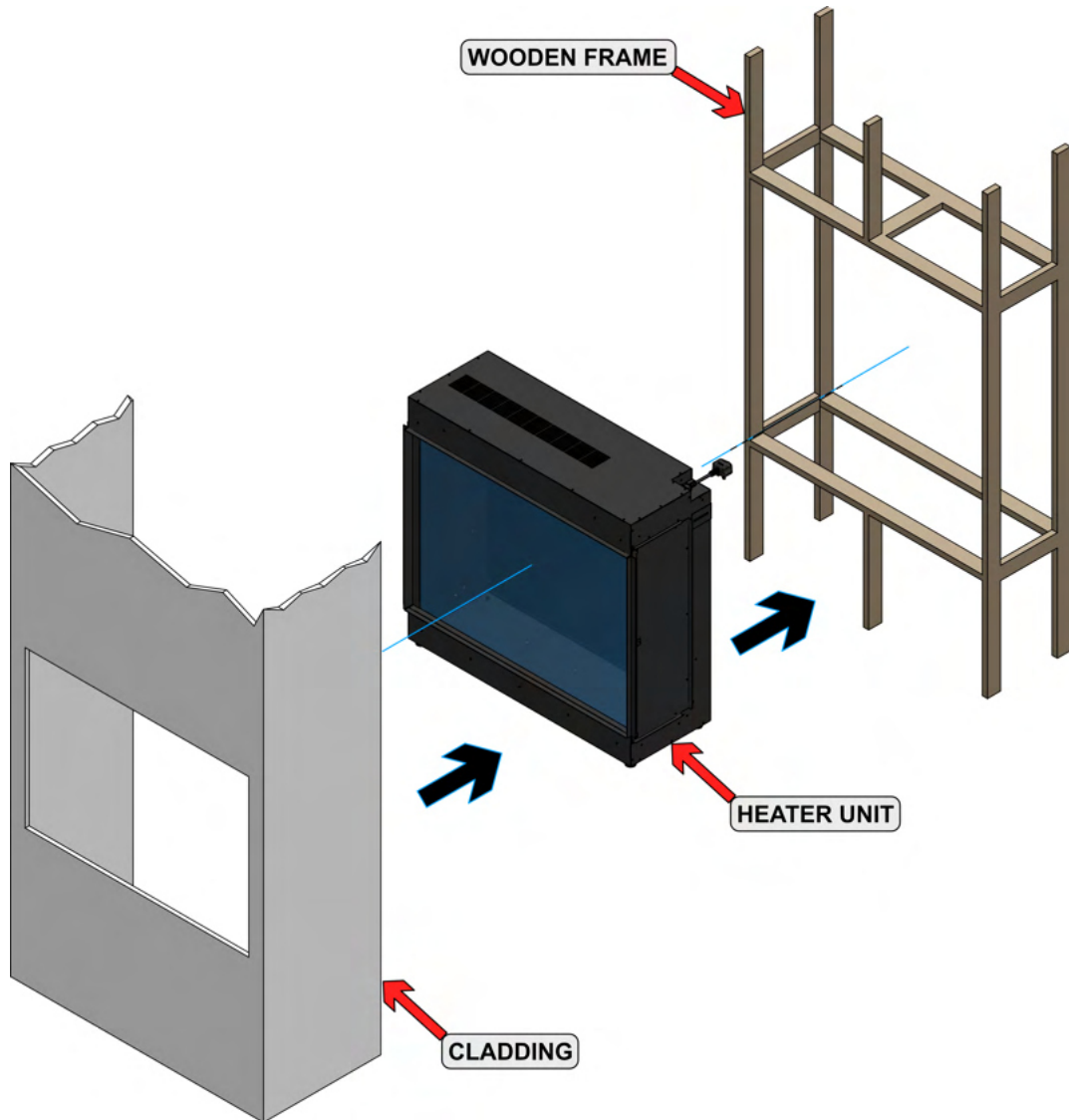
## ilektró 950 Aspect

**Note:**

Above given dimensions are for frame structure only.

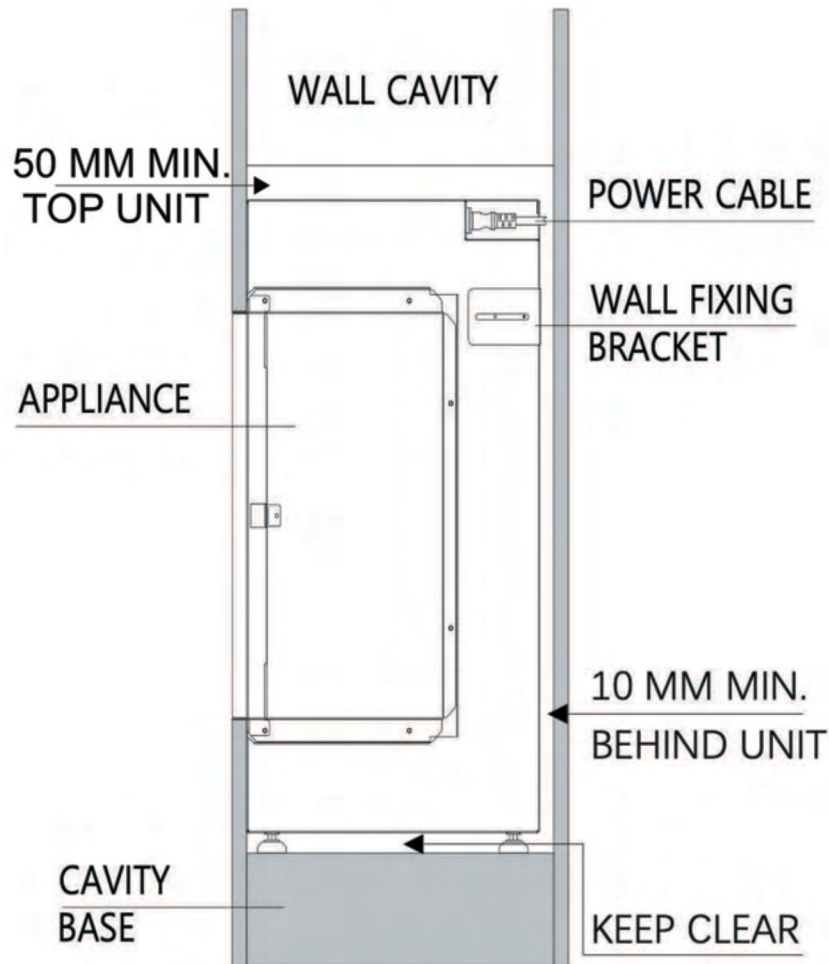


### EXPLODED VIEW



## ilek<sup>o</sup>tro 950 Aspect

### POSITIONING YOUR APPLIANCE



#### NOTE:

No fixtures are supplied to secure the appliance to the chosen wall. Ensure an appropriate fixing method is used depending on the construction material of the wall.

- When installing into a wall cavity space, a stud work enclosure should be built to house the appliance. Refer to frame out build sheet.
- Finish the enclosure in the chosen material ensuring cladding are pushed up to the edge frame around the glass of the unit.
- If your appliance is not level when installed the glass corner fit will be misaligned.

## CAUTION

### TELEVISION INSTALLATION MANDATORY REQUIREMENTS

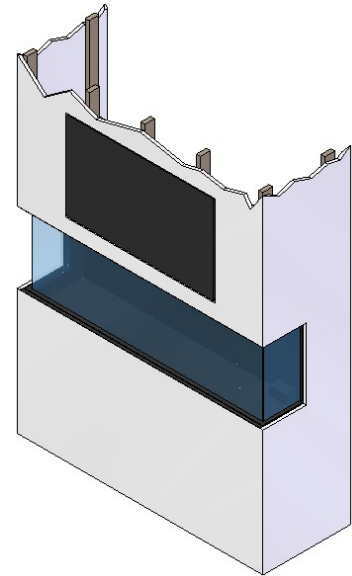
When fitting a television above the fireplace the following installation must be adhered to.

Debris and dust will fall into the fan slots above the appliance causing damage unless protected. It is a requirement to set a shelf as shown below.

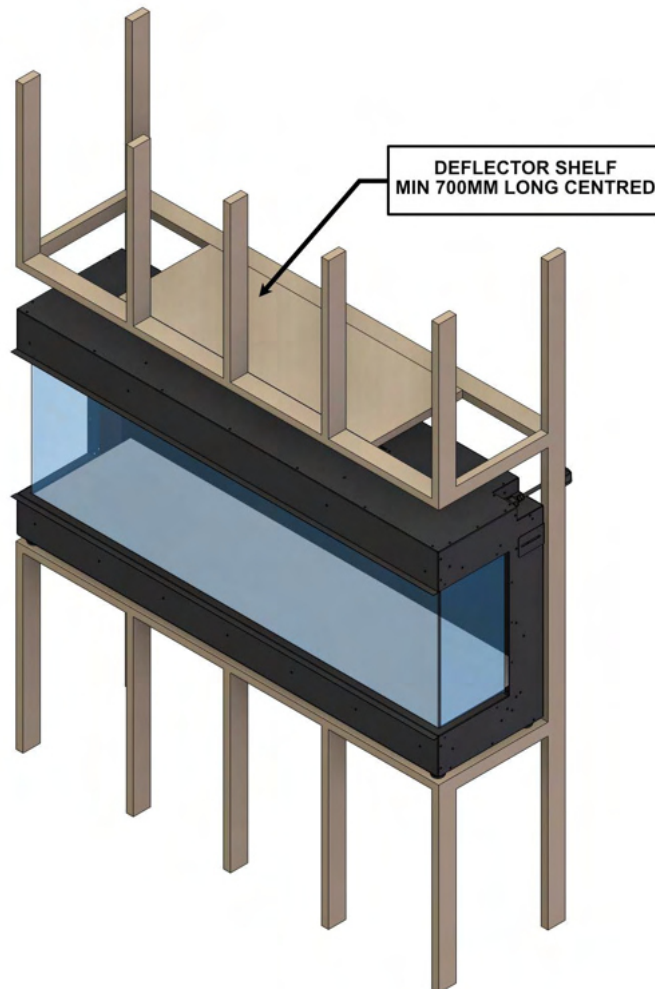
Option 1: Shelf to be made during framing

Option 2: Deflector plate as an accessories

**CAUTION:** Appliance warranty will be void if the shelf or deflector plate is not installed.



#### Option 1:





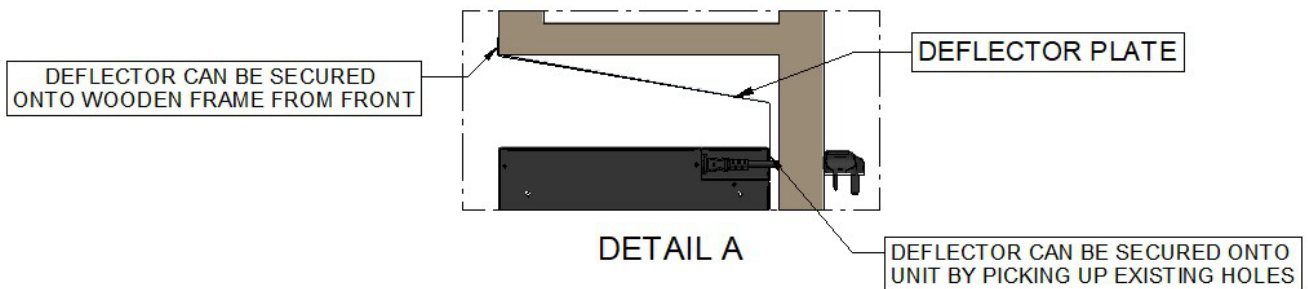
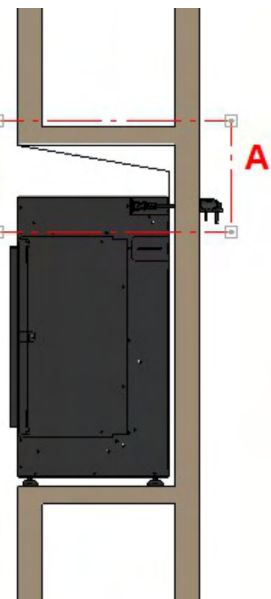
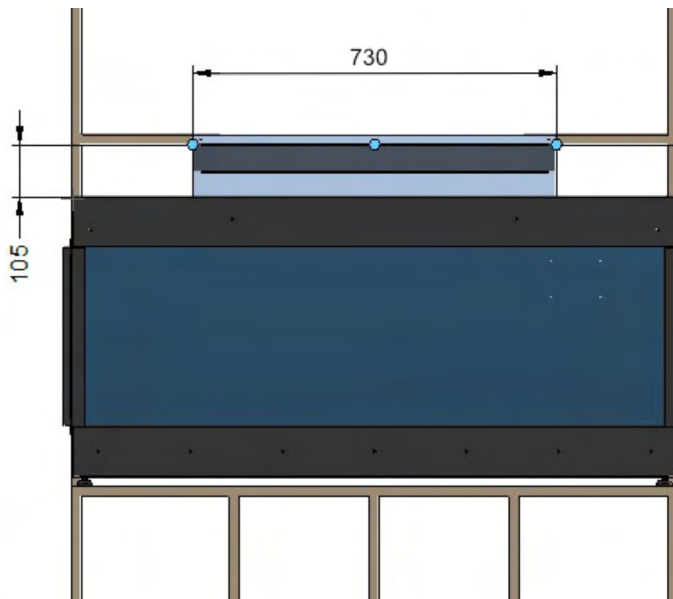
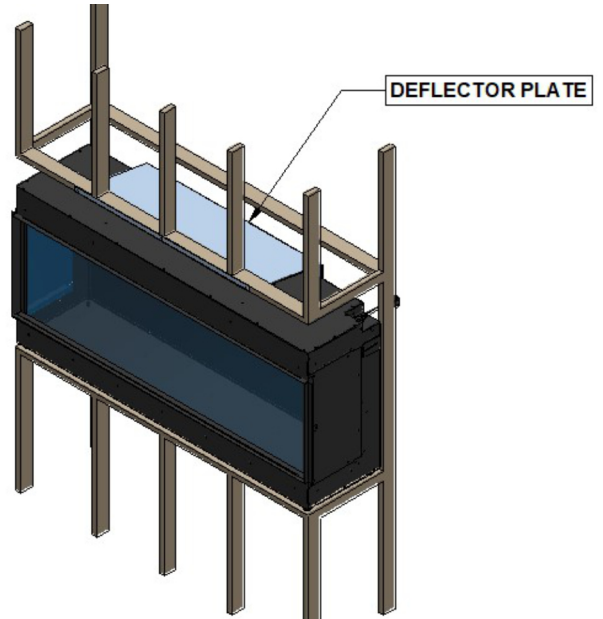
**CAUTION**

**TELEVISION INSTALLATION MANDATORY REQUIREMENTS**

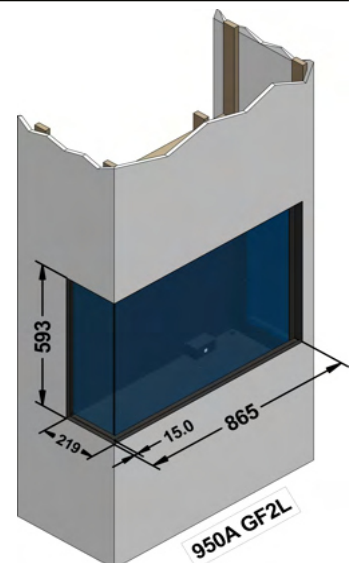
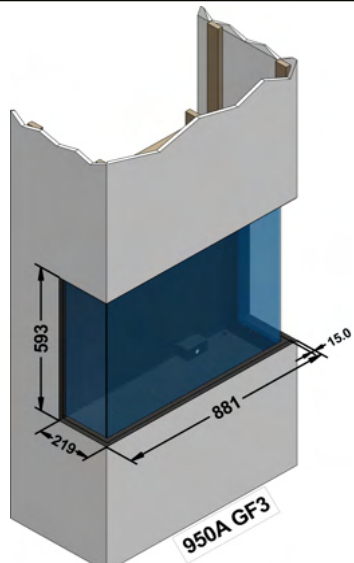
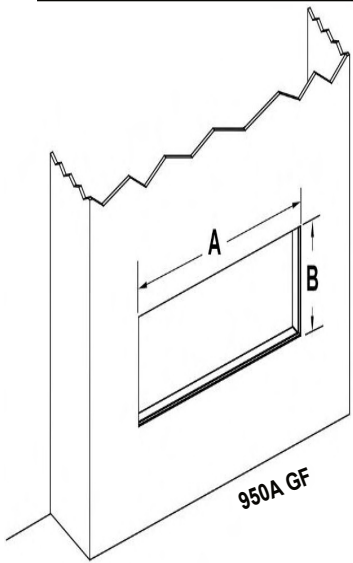
**Option 2:**

Deflector plate can be secured to wooden frame through self tappers; refer to detail A.

Rear side of the deflector plates can be secured to the fire place by picking up the existing screw holes; refer to detail A.

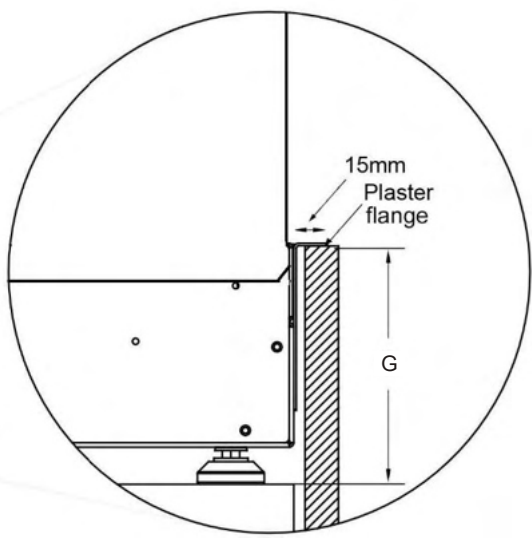
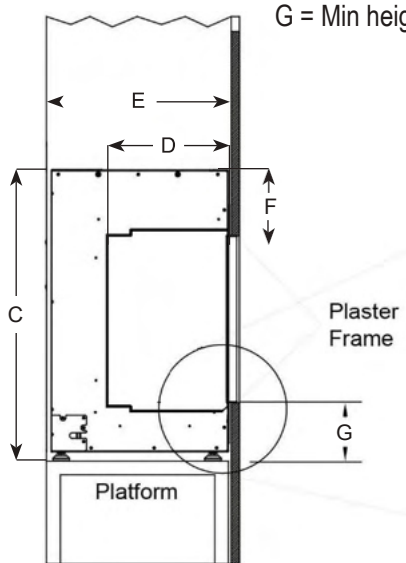
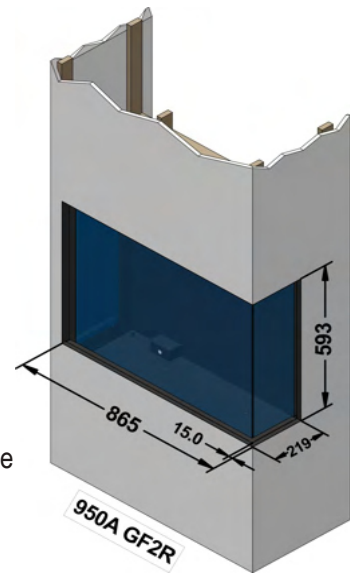


ilektró 950 Aspect



Model	A	B	C	D	E	F	G
950A GF	848mm	593mm	581mm	219mm	315mm	100mm	119mm
950A GF3	881mm	593mm	581mm	219mm	315mm	100mm	119mm
950A GF2L	865mm	593mm	581mm	219mm	315mm	100mm	119mm
950A GF2R	865mm	593mm	581mm	219mm	315mm	100mm	119mm

The above table contains the **minimum** opening A  
 = Width to outside of plaster flanges  
 B = Height to outside of plaster flanges  
 C = Height of fire (min)  
 D = Depth from front of fire body to rear of side plaster flange  
 = Depth of fire (+1MM TOL)  
 F = Height of fire above top plaster bead  
 G = Min height from underside of adjustable foot to underside of lower plaster flange



Distributed By

**PAUL AGNEW** | DESIGNS<sup>®</sup>

[info@paulagnewdesigns.com](mailto:info@paulagnewdesigns.com) | [www.paulagnewdesigns.com](http://www.paulagnewdesigns.com)