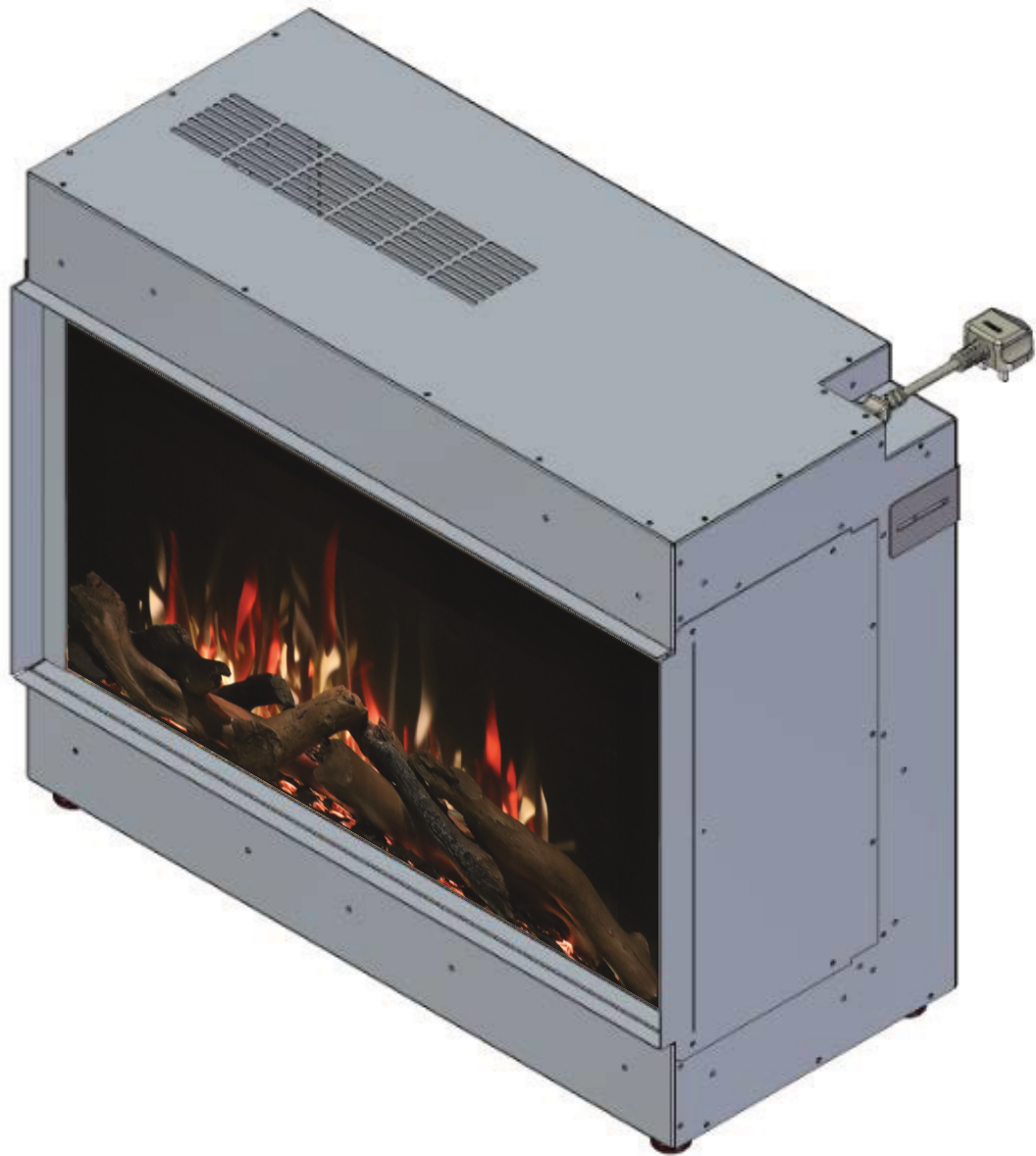


ilekτρο Range

950 LT

SPECIFICATION SHEET



Version 3 11/01/23

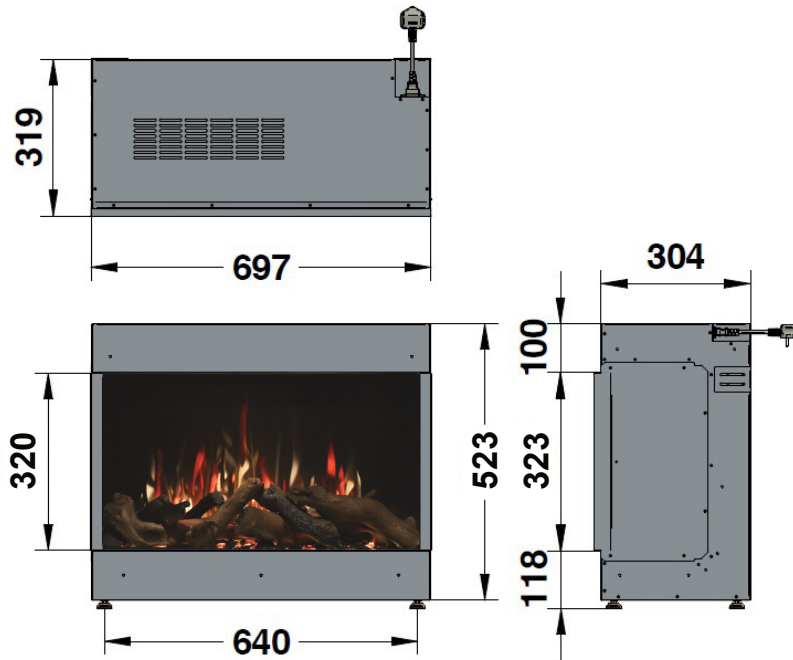
Contents of manual may be updated without notice.
For the latest version of this manual please refer to
our website: www.paulagnewdesigns.com.au

PAUL AGNEW | **DESIGNS**

ilektró 950 LT Glass Fronted

APPLIANCE DIMENSIONS

Product Code:



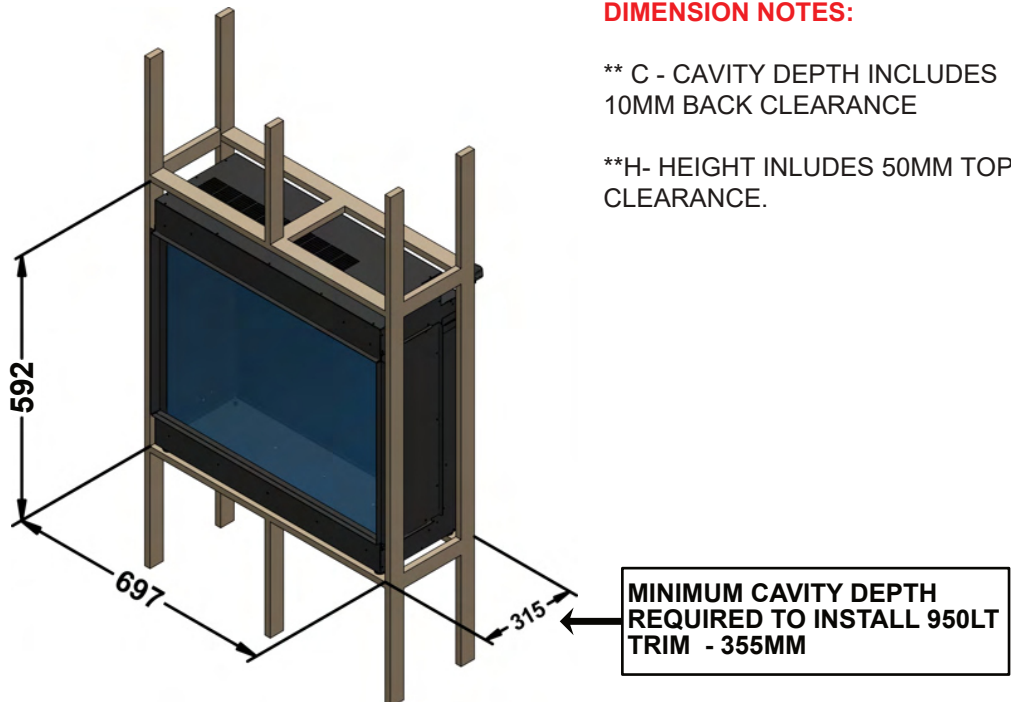
FRAME BUILD OUT DIMENSIONS (All dimensions are in millimetres)

H - MIN	W - MIN	C - CAVITY DEPTH WITHOUT TRIM	C - CAVITY DEPTH WITH 950LT TRIM
592	697	315	355

DIMENSION NOTES:

** C - CAVITY DEPTH INCLUDES 10MM BACK CLEARANCE

**H- HEIGHT INCLUDES 50MM TOP CLEARANCE.

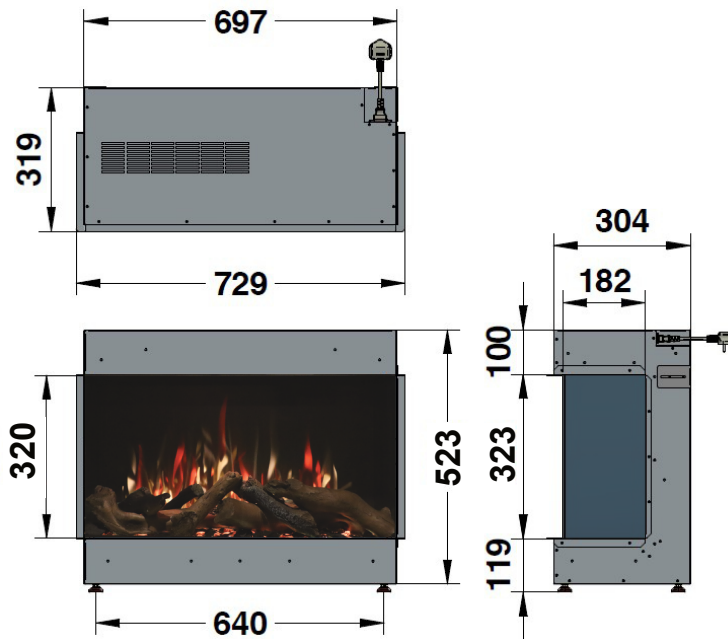


PLEASE NOTE: DIMENSIONS ARE FOR REFERENCE ONLY - CONSULT YOUR INSTALLER AND RETAILER FOR GUIDANCE

ilektró 950 LT Bay

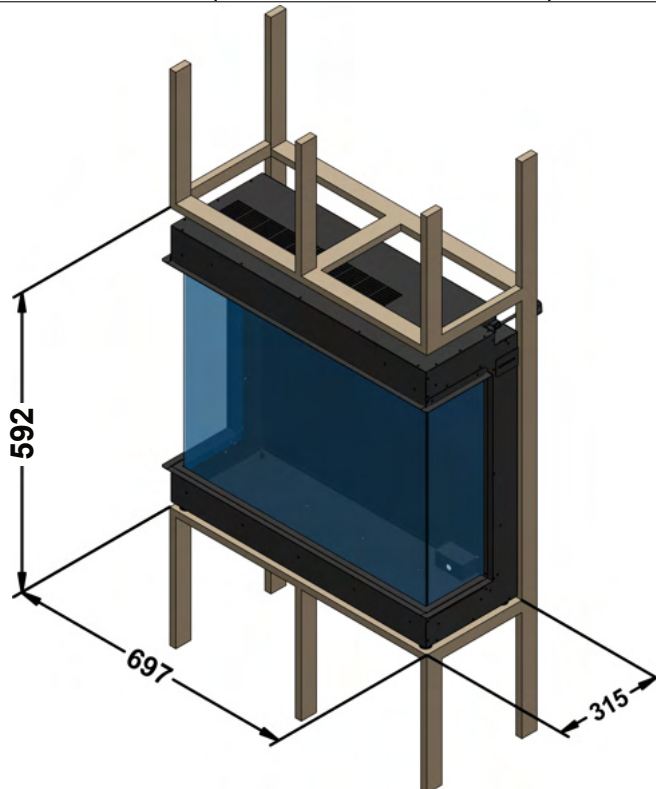
APPLIANCE DIMENSIONS

Product Code:



FRAME BUILD OUT DIMENSIONS (All dimensions are in millimetres)

H - MIN	W - MAX	C - CAVITY DEPTH
592	697	315



DIMENSION NOTES:

** C- CAVITY DEPTH INCLUDES 10MM BACK CLEARANCE.

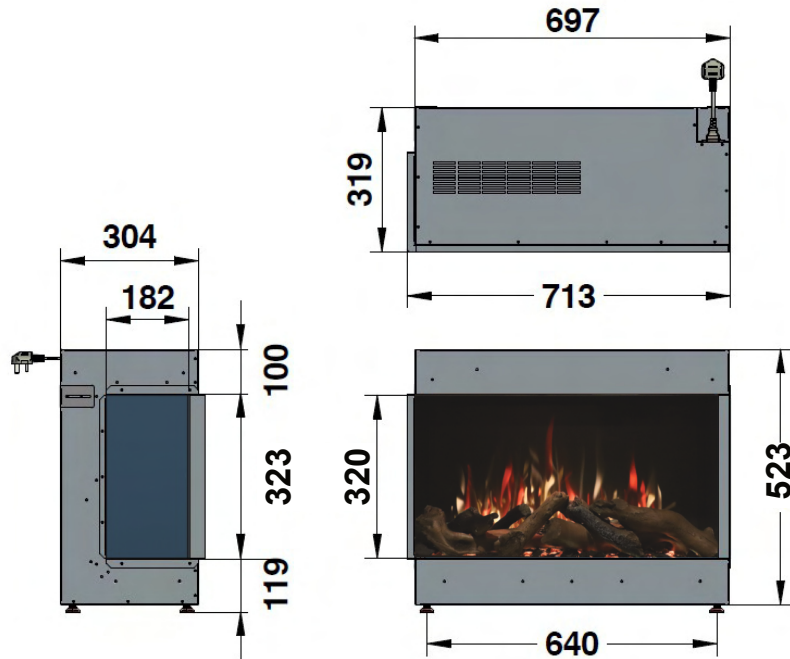
** H- HEIGHT INCLUDES 50MM TOP CLEARANCE.

PLEASE NOTE: DIMENSIONS ARE FOR REFERENCE ONLY - CONSULT YOUR INSTALLER AND RETAILER FOR GUIDANCE

ilektró 950 LT Left Corner Glass

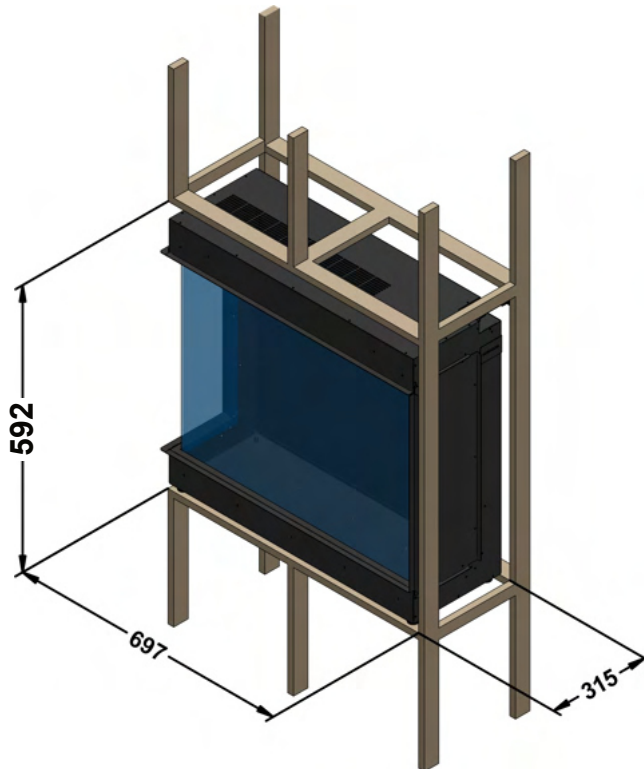
APPLIANCE DIMENSIONS

Product Code:



FRAME BUILD OUT DIMENSIONS (All dimensions are in millimetres)

H - MIN	W - MAX	C - CAVITY DEPTH
592	697	315



DIMENSION NOTES:

** C- CAVITY DEPTH INCLUDES 10MM BACK CLEARANCE.

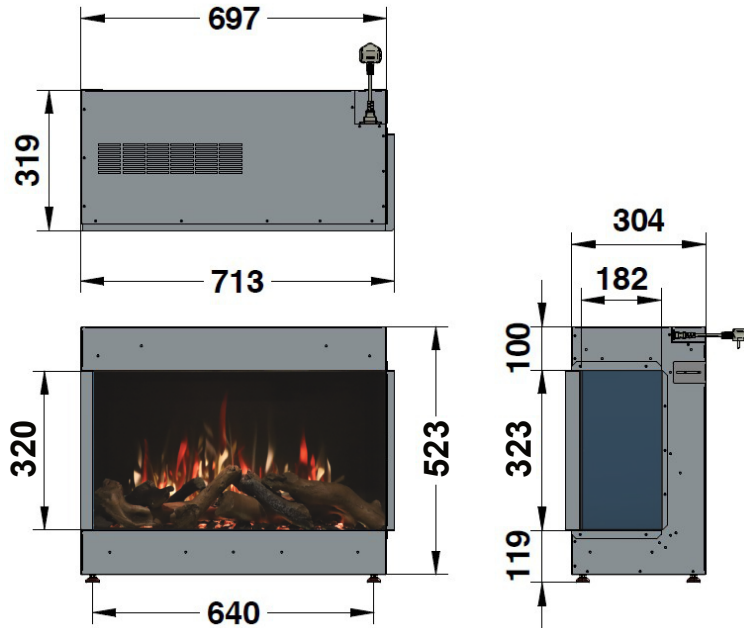
** H- HEIGHT INCLUDES 50MM TOP CLEARANCE.

PLEASE NOTE: DIMENSIONS ARE FOR REFERENCE ONLY - CONSULT YOUR INSTALLER AND RETAILER FOR GUIDANCE

ilektró 950 LT Right Corner Glass

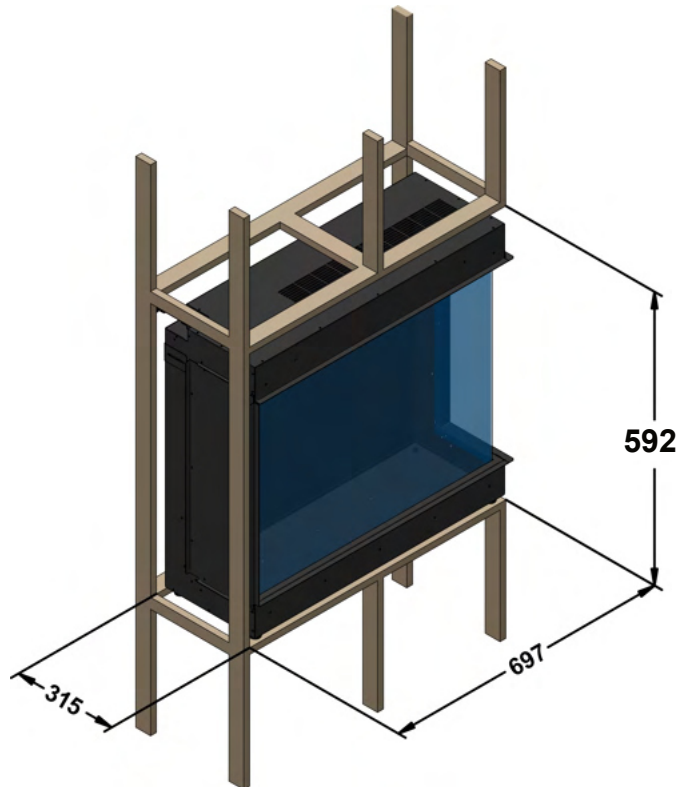
APPLIANCE DIMENSIONS

Product Code:



FRAME BUILD OUT DIMENSIONS (All dimensions are in millimetres)

H - MIN	W - MAX	C - CAVITY DEPTH
592	697	315



DIMENSION NOTES:

** C- CAVITY DEPTH INCLUDES 10MM BACK CLEARANCE.

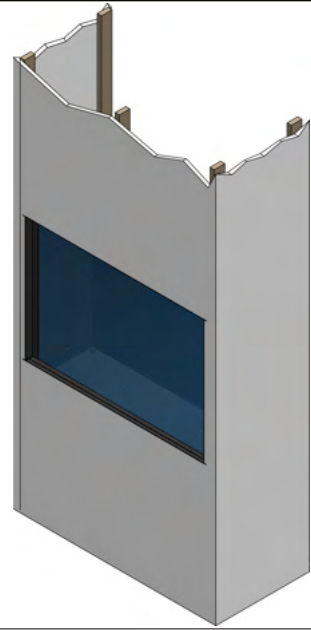
** H- HEIGHT INCLUDES 50MM TOP CLEARANCE.

PLEASE NOTE: DIMENSIONS ARE FOR REFERENCE ONLY - CONSULT YOUR INSTALLER AND RETAILER FOR GUIDANCE

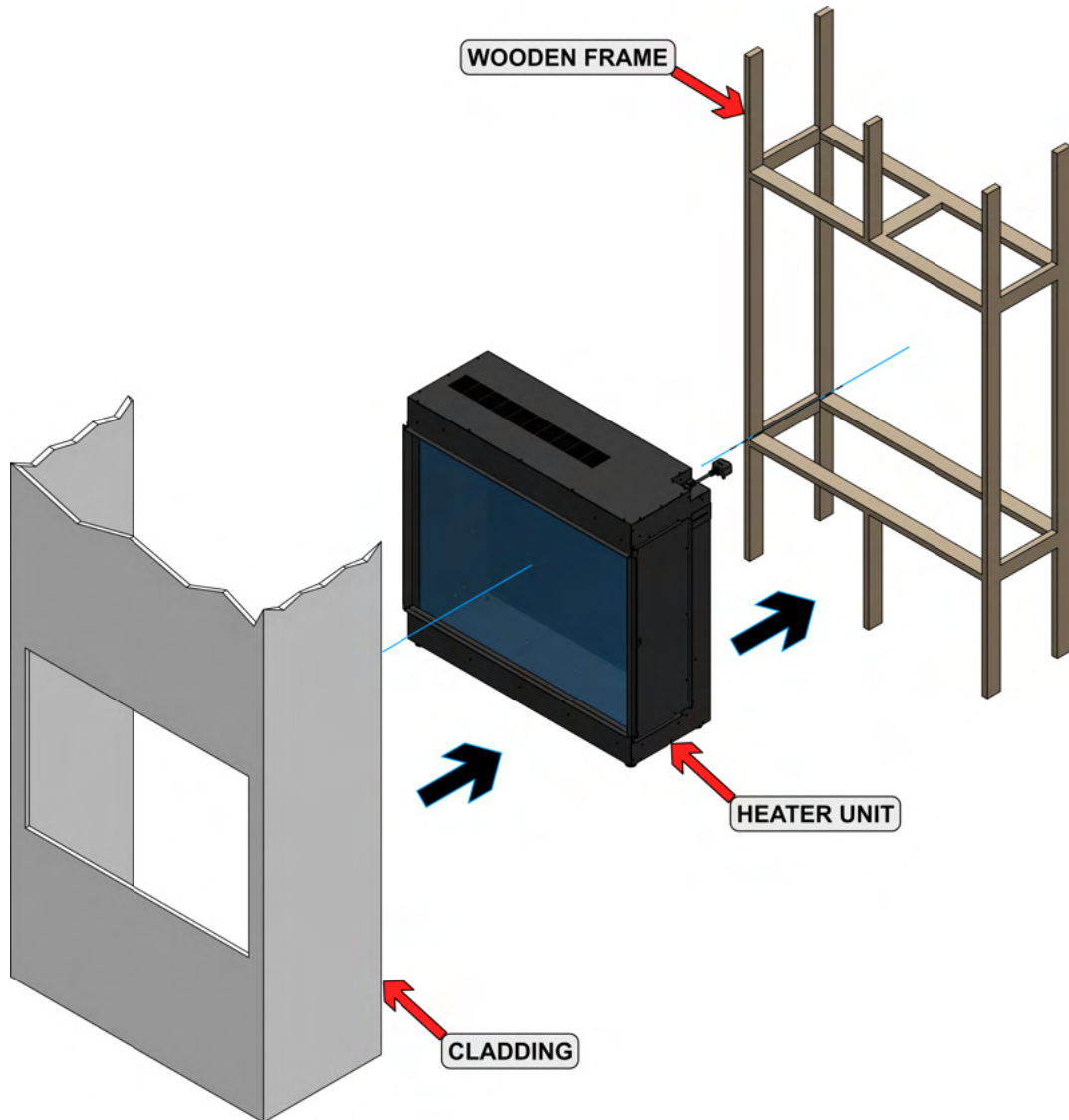
ilektro 950 L T

Note:

Above given dimensions are for framestructure only.

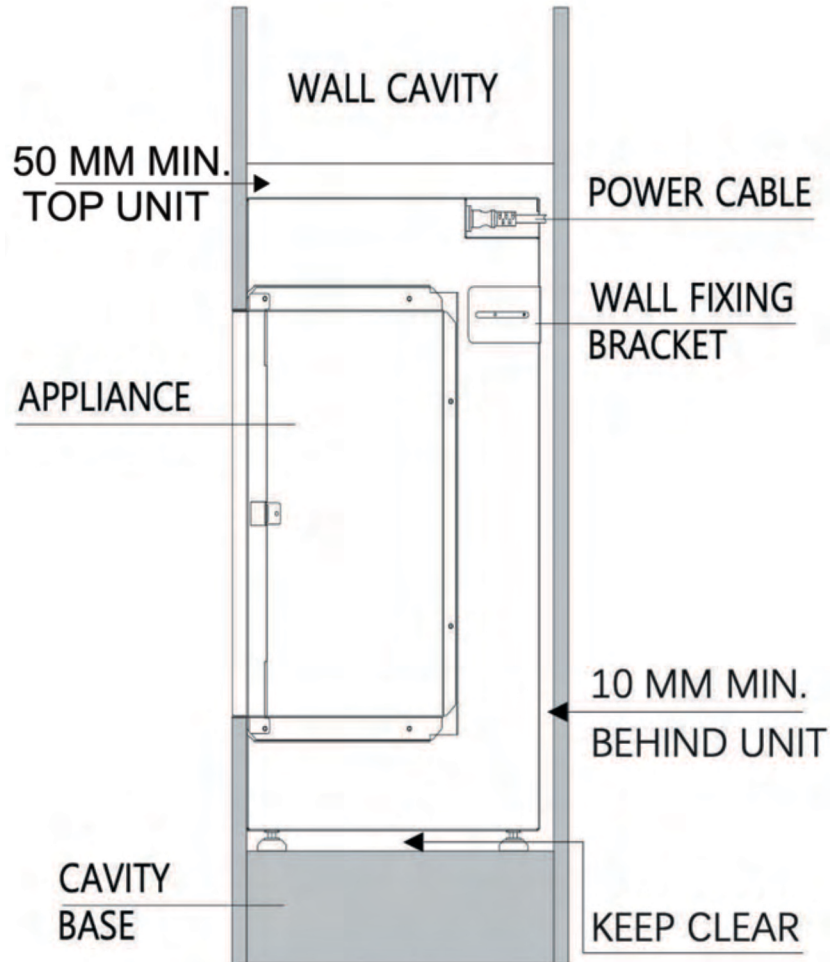


EXPLODED VIEW



ilek^otro 950 L T

POSITIONING YOUR APPLIANCE

**NOTE:**

No fixtures are supplied to secure the appliance to the chosen wall. Ensure an appropriate fixing method is used depending on the construction material of the wall.

- When installing into a wall cavity space, a stud work enclosure should be built to house the appliance. Refer to frame out build sheet.
- Finish the enclosure in the chosen material ensuring cladding are pushed up to the edge frame around the glass of the unit.
- If your appliance is not level when installed the glass corner fit will be misaligned.

CAUTION

TELEVISION INSTALLATION MANDATORY REQUIREMENTS

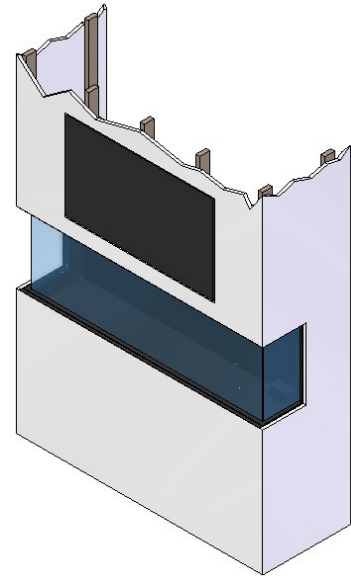
When fitting a television above the fireplacet he following installation must be adhered to.

Debris and dust will fall into the fan slots above the appliance causing damage unless protected. It is a requirement to set a shelf as shown below.

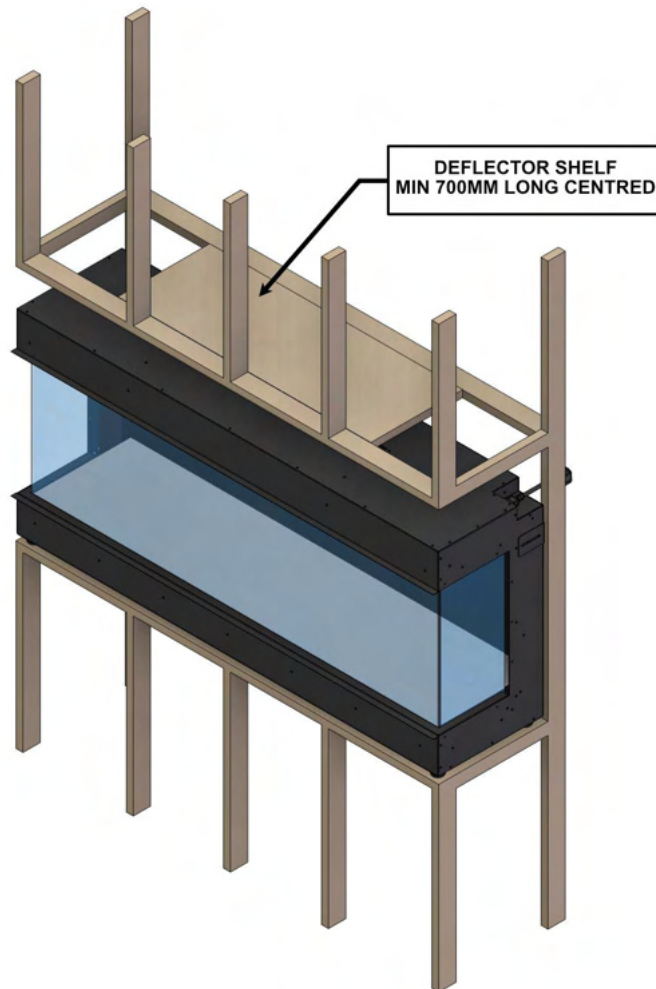
Option 1: Shelf to be made during framing

Option 2: Deflector plate as an accessories

CAUTION: Appliance warranty will be void if the shelf or deflector plate is not installed.



Option 1:



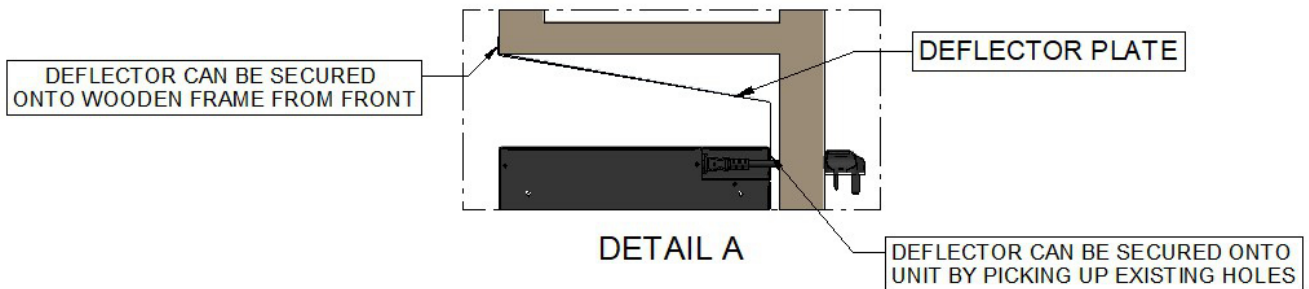
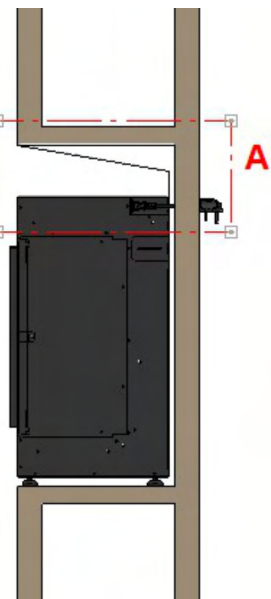
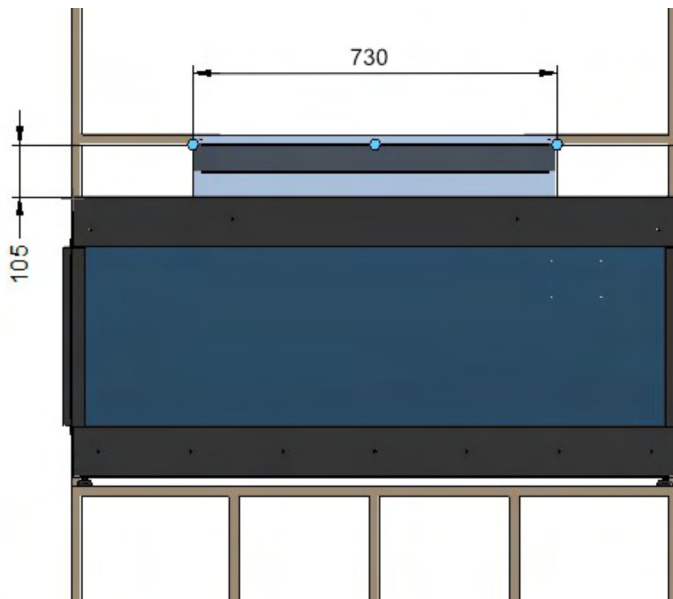
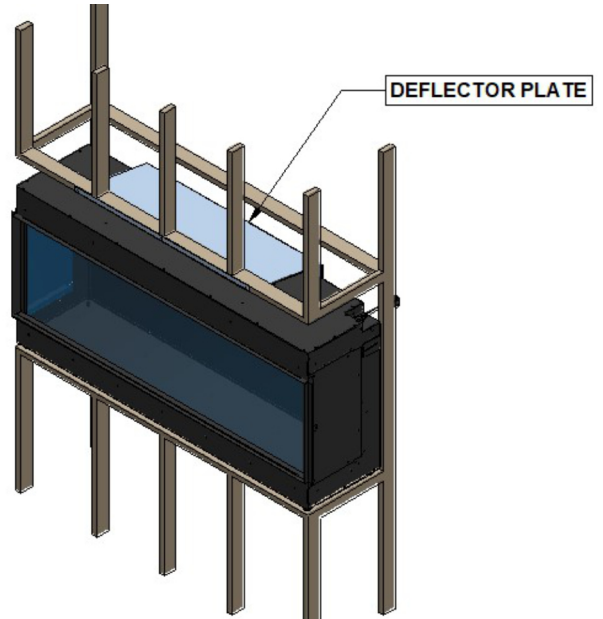
CAUTION

TELEVISION INSTALLATION MANDATORY REQUIREMENTS

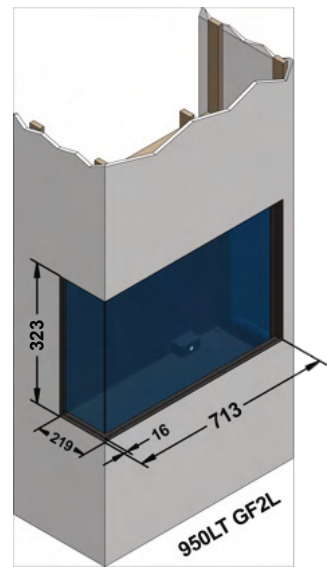
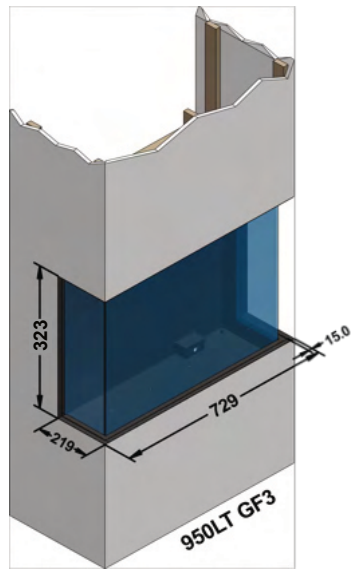
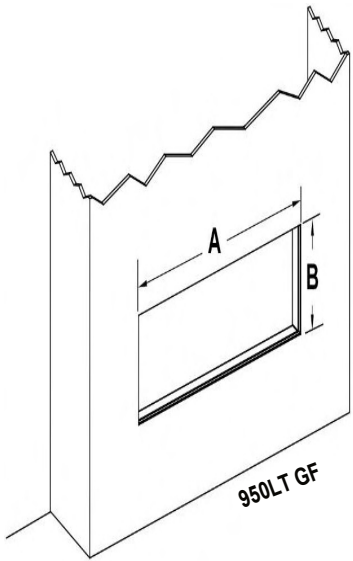
Option 2:

Deflector plate can be secured to wooden frame through self tappers; refer to detail A.

Rear side of the deflector plates can be secured to the fire place by picking up the existing screw holes; refer to detail A.



ilektró 950 L T



Model	A	B	C	D	E	F	G
950LT GF	697mm	323mm	541mm	219mm	315mm	100mm	119mm
950LT GF3	729mm	323mm	541mm	219mm	315mm	100mm	119mm
950LT GF2L	713mm	323mm	541mm	219mm	315mm	100mm	119mm
950LT GF2R	713mm	323mm	541mm	219mm	315mm	100mm	119mm

The above table contains the **minimum** opening A =

Width to outside of plaster flanges

B = Height to outside of plaster flanges

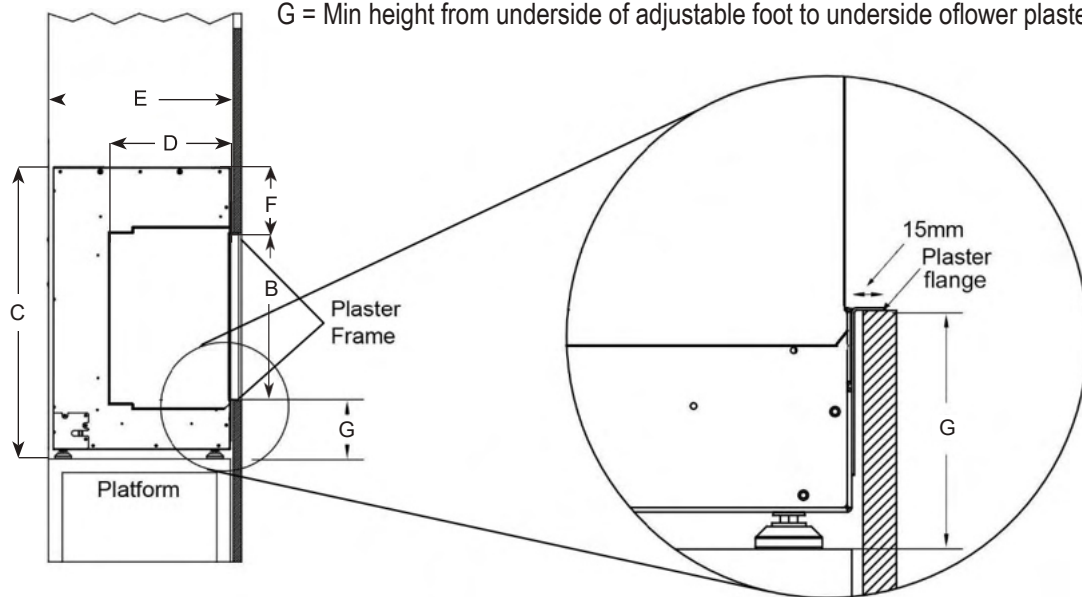
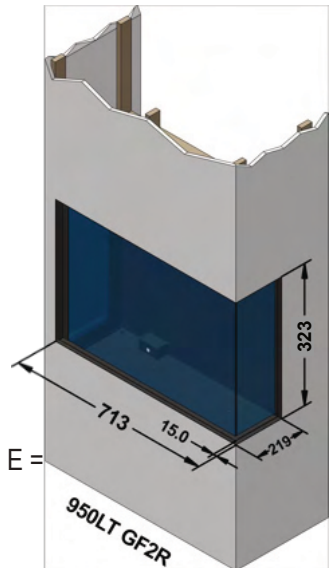
C = Height of fire (min)

D = Depth from front of fire body to rear of side plaster flange E =

Depth of fire (+1MM TOL)

F = Height of fire above top plaster bead

G = Min height from underside of adjustable foot to underside of lower plaster flange



Distributed By

PAUL AGNEW | DESIGNS[®]

info@paulagnewdesigns.com | www.paulagnewdesigns.com